



NATIONAL GUARD  
PRODUCTS

# Door Aligning Astragal 575



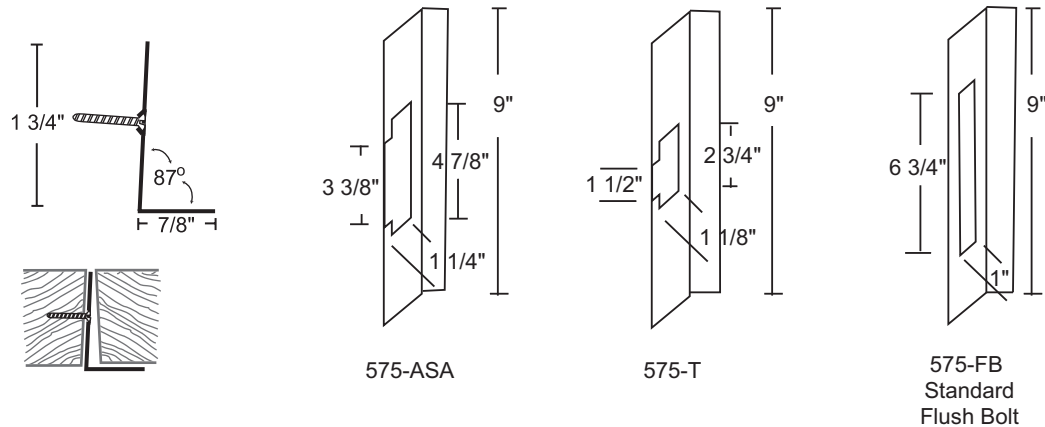
### Materials & Finishes

- 9" height
- For 1-3/4" beveled edge doors
- 1/4" radius corners
- 20 gauge cold rolled steel
- DKB powder coat finish standard

### Available Options

575-Blank  
 575-ASA  
 575-T  
 575-FB

- Powder coat color options - see color chart on [www.ngp.com](http://www.ngp.com)
- #304 Stainless Steel 20 ga., #4 brushed finish - suffix "SS"



<b>Project:</b>
<b>Submitted by:</b>
<b>Date:</b>
<b>Notes:</b>