



# Beveled Edge "Z" Astragal on Inactive Leaf

574

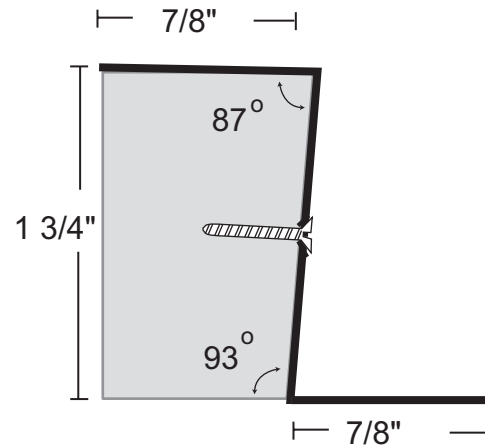


### Materials & Finishes

- 20 ga. cold rolled steel
- For 1-3/4" thick doors
- #8 x 3/4" flat undercut Phillips head SMS
- Standard finish = Tan (T) powder coat

### Available Options

- Powder coat color options - see color chart on [www.ngp.com](http://www.ngp.com)
- Stainless Steel 20 ga., Type 304, #4 brushed finish - suffix "SS"
- Galvanneal
- Torx Security Screws
- Special door thickness: 1-3/8", 2", 2-1/4"
- Lead lining .030" thick



Project:

Submitted by:

Date:

Notes: