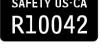
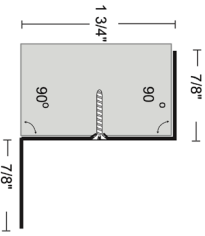




# 570 570SS

Square Edge  
"Z" Astragal



See [ngp.com](http://ngp.com) for All Applicable  
Certifications for this Product.

POSITIVE PRESSURE TESTED GASKETING  
MATERIALS FOR FIRE DOORS  
FOR APPLICATION TO HOLLOW-METAL-TYPE  
FIRE DOORS RATED UP TO 3 HOURS AND  
WOOD-TYPE FIRE DOORS RATED UP TO 1-1/2  
HOURS. CATEGORY J

- 20-Ga. Cold Rolled Steel  
or Stainless Steel
- For 1 3/4" Thick Doors  
(Inside Dim. 1 3/4" Actual)

- #8 x 3/4" Flat Undercut Phillips Head SMS

# SEAL

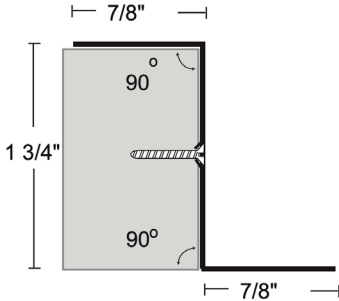
[ngp.com](http://ngp.com)  
1-800-NCP-RUSH

---

# INSTALLATION INSTRUCTIONS

---

## 570 570SS



### NOTE:

This product was ordered and manufactured to the NET door height. No cutting or trimming should be required. Changing the net length will effect the alignment of any hardware preps.

1. Position on door edge, aligning cut-outs with hardware preps on door.
2. Mark screw holes.
3. Drill pilot holes for screws using a 1/8" drill bit.
4. Install with screws provided.



[ngp.com](http://ngp.com)

1-800-NGP-RUSH

FAX: (800) 255-7874

QUOTES: [quotes@ngp.com](mailto:quotes@ngp.com)

ORDERS: [orders@ngp.com](mailto:orders@ngp.com)

### NGP MEMPHIS

4985 East Raines Road  
Memphis, TN 38118

### CARSON CITY

3689 Arrowhead Drive  
Carson City, NV 89706