



561

Square Edge Astragal Set on Inactive Leaf

PRODUCT CUT SHEET

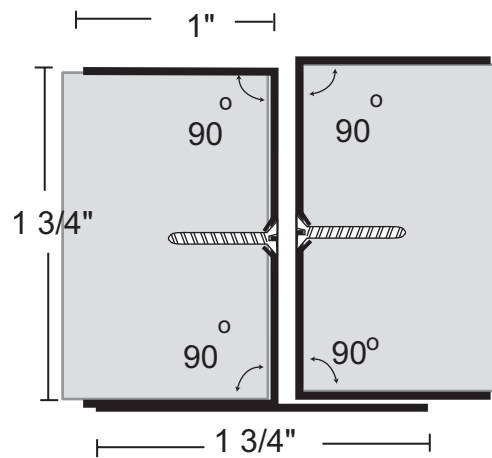
PROJECT:
SUBMITTED BY:
DATE:
NOTES:

Material

- ▶ 20-Gauge Cold Rolled Steel on Edges
- ▶ 18 Ga. Cold Rolled Steel on Astragal Welded to Edges
- ▶ For 1 3/4" Thick Doors (Inside Dim. 1 3/4" Actual)
- ▶ #8 x 3/4" Flat Undercut Phillips Head SMS
- ▶ Standard Finish = Tan (T) Powder Coat

Available Options

- ▶ Powder Coat Color Options - See Color Chart on ngp.com
- ▶ Stainless Steel 20-Gauge, Type 304, #4 Brushed Finish - Suffix "SS"
- ▶ Galvanneal
- ▶ Torx Security Screws
- ▶ Special Door Thickness: Available from 1 3/8" to 2 1/4"
- ▶ Lead Lining 1/16" Thick



NGP-EDG-561-PCS-0724-A

NATIONAL GUARD PRODUCTS, INC.

MEMPHIS

4985 East Raines Road
Memphis, TN 38118

CARSON CITY

3689 Arrowhead Drive
Carson City, NV 89706

Fax: (800) 255-7874
Email: info@ngp.com

Quotes: quotes@ngp.com
Orders: orders@ngp.com

ngp.com
1-800-NGP-RUSH