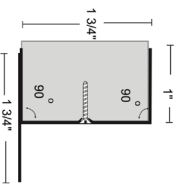




560 560SS

Square Edge
Single Astragal
on Inactive Leaf



See ngp.com for All Applicable
Certifications for this Product.



POSITIVE PRESSURE TESTED GASKETING
MATERIALS FOR FIRE DOORS
FOR APPLICATION TO HOLLOW-METAL-TYPE
FIRE DOORS RATED UP TO 3 HOURS AND
WOOD-TYPE FIRE DOORS RATED UP TO 1-1/2
HOURS. CATEGORY J

- ▶ 20-Ga. Cold Rolled Steel
or Stainless Steel
- ▶ For 1 3/4" Thick Doors
(Inside Dim. 1 3/4" Actual)

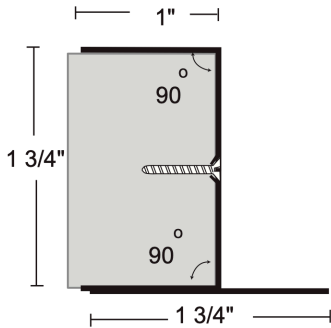
- ▶ #8 x 3/4" Flat Undercut Phillips Head SMS

SEAL

ngp.com
1-800-NCP-RUSH

INSTALLATION INSTRUCTIONS

560 560SS



NOTE:

This product was ordered and manufactured to the NET door height. No cutting or trimming should be required. Changing the net length will effect the alignment of any hardware preps.

1. Position on door edge, aligning cut-outs with hardware preps on door.
2. Mark screw holes.
3. Drill pilot holes for screws using a 1/8" drill bit.
4. Install with screws provided.



ngp.com

1-800-NGP-RUSH

FAX: (800) 255-7874

QUOTES: quotes@ngp.com

ORDERS: orders@ngp.com

NGP MEMPHIS

4985 East Raines Road
Memphis, TN 38118

CARSON CITY

3689 Arrowhead Drive
Carson City, NV 89706