



Beveled Edge Single Astragal on Active Leaf

552

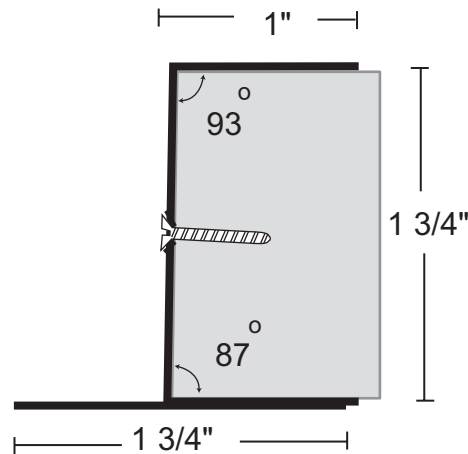


Materials & Finishes

- 20 ga. cold rolled steel on edges
- 18 ga. cold rolled steel on astragal welded to edges
- For 1-3/4" thick doors (inside dim. 1-3/4" actual)
- #8 x 3/4" flat undercut Phillips head SMS
- Standard finish = Tan (T) powder coat

Available Options

- Powder coat color options - see color chart on www.ngp.com
- Stainless Steel 20 ga., Type 304, #4 brushed finish - suffix "SS"
- Galvanneal
- Torx Security Screws
- Special door thickness: 1-3/8", 2", 2-1/4"
- Lead lining .030" thick



Project:
Submitted by:
Date:
Notes: