



543

Beveled Door Edge Set

PRODUCT CUT SHEET

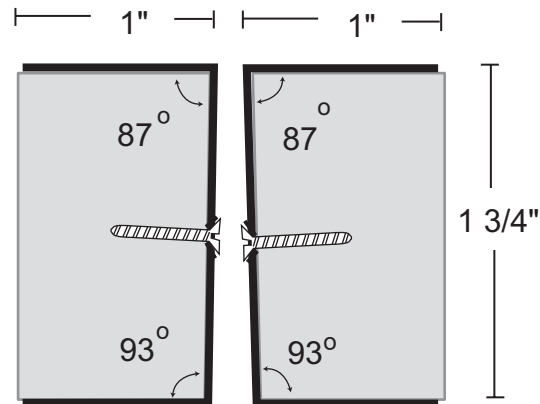
PROJECT:
SUBMITTED BY:
DATE:
NOTES:

Material

- ▶ 20-Gauge Cold Rolled Steel
- ▶ For 1 3/4" Thick Doors (Inside Dim. 1 3/4" Actual)
- ▶ #8 x 3/4" Flat Undercut Phillips Head SMS
- ▶ Standard Finish = Tan (T) Powder Coat

Available Options

- ▶ Powder Coat Color Options - See Color Chart on www.ngp.com
- ▶ Stainless Steel 20-Gauge, Type 304, #4 Brushed Finish - Suffix "SS"
- ▶ Galvanneal
- ▶ Torx Security Screws
- ▶ Special Door Thickness: 1 3/8", 2", 2 1/4"
- ▶ Lead Lining .030" Thick



NGP-EDG-543-PCS-1020-A