



522N

Neoprene Heavy Duty Mortise Automatic Door Bottom

PRODUCT CUT SHEET

PROJECT:
SUBMITTED BY:
DATE:
NOTES:

Material

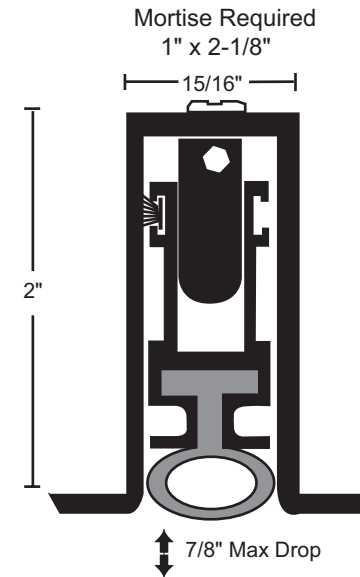
Aluminum Alloy 6063, T5 Temper
 Synthetic EPDM Rubber in Polypropylene Thermoplastic Matrix
 Color is Black

- ▶ BHMA Certified to ANSI/BHMA A156.22, 1,000,000 Cycle Test-Grade 1
- ▶ BHMA Certified to ANSI/BHMA A156.22 Performance Tests for Heat and Cold
- ▶ Very Good Abrasion Resistance, Tensile Strength and Memory
- ▶ Flame-Resistant
- ▶ Moisture-Resistant
- ▶ Temperature Range -20°F to 200°F
- ▶ Good Resistance to Ozone, Sunlight and Aging
- ▶ Use with a Threshold for Maximum Sealing Capability
- ▶ Specify Exact Net Length Required to Avoid Field Sizing
- ▶ 36" and Longer may be Cut up to 4" in the Field, under 36" should not be Cut in the Field, Order Net Length
- ▶ Furnished 1/2" Shorter than Ordered to Fit within Net Door Size. (i.e. 36" is Furnished 35 1/2")
- ▶ Anodized Aluminum End Caps Furnished Standard. DKB End Caps Available - Please Specify
- ▶ Mortise Required 1" x 2 1/8"
- ▶ Available 11" to 60" in Length
- ▶ #4 x 5/8" SMS Furnished
- ▶ 7/8" Max Drop

* Up To 3 Hrs. Metal Doors, 45 Minute Wood Doors (Does Not Fit Mortise Restrictions of Some Wood Door Manufacturers)

Finish

Mill Aluminum



NGP-GKT-522N-PCS-1123-A

NATIONAL GUARD PRODUCTS, INC.

MEMPHIS

4985 East Raines Road
 Memphis, TN 38118

CARSON CITY

3689 Arrowhead Drive
 Carson City, NV 89706

Fax: (800) 255-7874

Email: info@ngp.com

Quotes: quotes@ngp.com

Orders: orders@ngp.com

ngp.com
 1-800-NGP-RUSH