

# SELF-ADHESIVE SILICONE GASKETING

## SILICONE BULB FIRE AND SMOKE SEAL



### Edge Sealing System - Category G for 20 Minute Rated Category B Wood Doors Perimeter Application Up To:

Single Swing 4'0 X 8'0  
 Pairs 8'0 X 8'0  
 Use 9550 at the Meeting Edge of Pairs



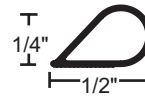
Smoke and Draft Control - Category H  
 Up To 3 hours Hollow Metal Fire Doors  
 Up To 90 Minutes Wood Fire Doors



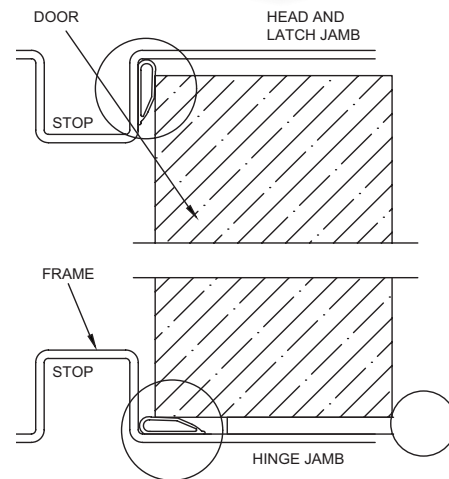
Meets Requirements of RoHS Directive  
 See Adhesive Specifications on Page G15

<b>5050B</b>	Brown
<b>5050C</b>	Charcoal
<b>5050W</b>	White
<b>5050CL</b>	Clear

Available in 17', 20', 21', 25' and 300'\* Rolls  
 \*Clear Not Available in 300' Rolls

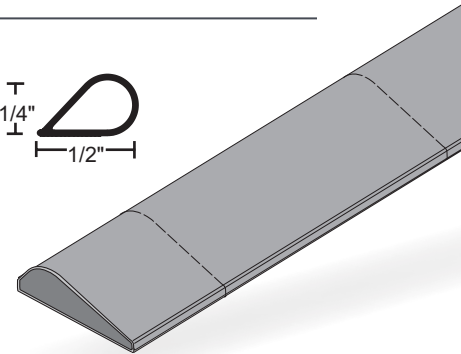
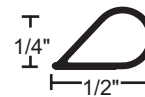


Pictured:  
**5050B**  
 (Brown)



## ANTI-LIGATURE SILICONE BULB FIRE AND SMOKE SEAL

- ▶ Anti-Ligature Feature has Serrations Every 8" Designed to Break Apart Preventing it From Being Used to Hang or Strangle.
- ▶ Applications Include Psychiatric Facilities, Prisons and Other Treatment Facilities.
- ▶ Installs as a Continuous Length Providing the Same Sealing Properties for Light, Sound, Air and Smoke as Our Original 5050.



### **ANTI-LIG 5050C** Charcoal

Available in 17' and 300' Rolls



### Edge Sealing System - Category G for 20 Minute Rated Category B Wood Doors Perimeter Application Up To:

Single Swing 4'0 X 8'0  
 Pairs 8'0 X 8'0  
 Use 9550 at the Meeting Edge of Pairs



Smoke and Draft Control - Category H Up To 3 Hours Hollow Metal Fire Doors Up To 90 Minutes Wood Fire Doors



Meets Requirements of RoHS Directive  
 See Adhesive Specifications on Page G15