



# 5050C

## Silicone Bulb Fire and Smoke Seal

### PRODUCT CUT SHEET

#### Material

Self-Adhesive Synthetic Rubber Polymer: Siloxane

- ▶ Excellent Flexibility and Memory
  - ▶ Flame Resistant
  - ▶ Moisture Resistant
  - ▶ Temperature Range -100°F to 500°F, Remains Flexible at Extreme Temperatures
  - ▶ Excellent Resistance to Ozone, UV and Aging
  - ▶ Recommended for Areas Using FM200 or Halon Fire Suppression Systems
  - ▶ BHMA Certified to ANSI/BHMA A156.22 Performance Tests for Heat, Cold and Air Infiltration
  - ▶ Modified Acrylic Pressure Sensitive Adhesive Protected by Release Liner
  - ▶ Provides High Initial Adhesion and Long Term Holding Power for Permanent Mounting in Exterior or Interior Locations
  - ▶ Resistant to Aging, Weathering, UV Radiation, Water, Detergent, Alcohol and the Influence of Chemicals
  - ▶ End Use Temperature Range of Adhesive, Long Term Exposure -30°F Up To 250°F
  - ▶ Shelf Life of Adhesive Prior to Installation is One Year When Stored at 75°F and 50% Relative Humidity or Less
  - ▶ Meets Requirements of RoHS Directive
  - ▶ 1/2" Wide x 1/4" Tall
  - ▶ Available in 17', 20', 21', 25' and 300' Rolls
- \*Clear Not Available in 21'

#### Color

5050C Charcoal



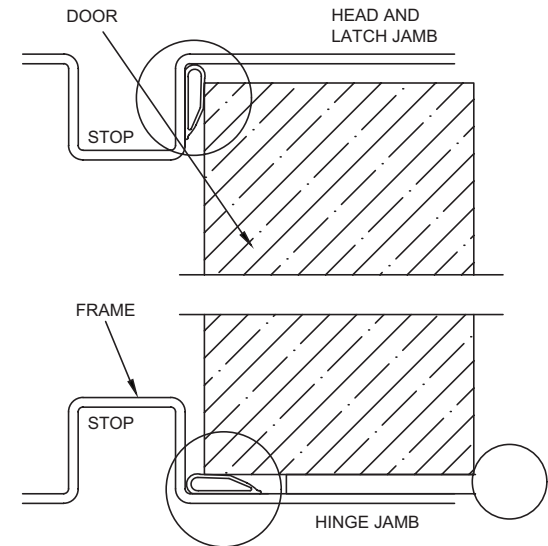
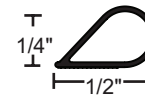
Edge Sealing System - Category "G" for 20 minute rated category B wood doors perimeter application up to:  
 single swing 4'0" x 8'0"  
 pairs 8'0" x 8'0"  
 use 9550 at the meeting edge of pairs



Smoke and Draft Control - Category "H"  
 Up to 3 hours Hollow Metal fire doors  
 Up to 90 minutes Wood fire doors



PROJECT:
SUBMITTED BY:
DATE:
NOTES:



NGP-GKT-5050C-PCS-0221-A