



# 4448WH

Nylon Brush Single Actuated, Mortise Automatic Door Bottom

## PRODUCT CUT SHEET

PROJECT:
SUBMITTED BY:
DATE:
NOTES:

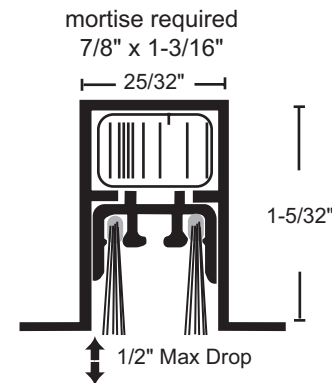
### Material

Aluminum Alloy 6063, T5 Temper  
Synthetic Polymer: Polyamide  
Nylon Brush is Black

- ▶ Excellent Abrasion Resistance, Flexibility and Memory
- ▶ Moisture-Resistant
- ▶ Retains Insecticides Well
- ▶ Temperature Range -70°F to 425°F
- ▶ Not Effective Against Water Penetration
- ▶ Matches Design of Dual Actuated Door Bottoms. For use on Pairs of Doors or Field Size for Single Doors
- ▶ Low Compression and Operating Force
- ▶ Concealed Fasteners
- ▶ Furnished  $\frac{1}{4}$ " Shorter than Ordered to Fit Net Door Width. (i.e. 36" is Furnished  $35\frac{3}{4}$ " Net)
- ▶ Available 24" to 96" in Length. may be Field Cut up to 3"
- ▶ Mortise Required  $\frac{7}{8}$ " x  $1\frac{3}{16}$ "
- ▶ #4 x  $\frac{5}{8}$ " SMS Furnished
- ▶  $\frac{1}{2}$ " Max Drop

### Finishes

Mill Aluminum



NGP-GKT-4448WH-PCS-1123-A

## NATIONAL GUARD PRODUCTS, INC.

### MEMPHIS

4985 East Raines Road  
Memphis, TN 38118

### CARSON CITY

3689 Arrowhead Drive  
Carson City, NV 89706

**Fax:** (800) 255-7874

**Email:** info@ngp.com

**Quotes:** quotes@ngp.com

**Orders:** orders@ngp.com

**ngp.com**  
1-800-NGP-RUSH