



4448S

Silicone Single Actuated, Mortise Automatic Door Bottom

PRODUCT CUT SHEET

Material

Aluminum Alloy 6063, T5 Temper
Synthetic Rubber Polymer: Siloxane
Silicone is Gray

- ▶ Excellent Flexibility and Memory
- ▶ Flame-Resistant
- ▶ Moisture-Resistant
- ▶ Temperature Range -100°F To 500°F, Remains Flexible at Extreme Temperatures
- ▶ Excellent Resistance to Ozone, UV and Aging
- ▶ Recommended for Areas Using FM200 or Halon Fire Suppression Systems
- ▶ Matches Design of Dual Actuated Door Bottoms. For use on Pairs of Doors or Field Size for Single Doors
- ▶ Low Compression and Operating Force
- ▶ Concealed Fasteners
- ▶ Furnished $\frac{1}{4}$ " Shorter than Ordered to Fit Net Door Width. (i.e. 36" is Furnished $35\frac{3}{4}$ " Net)
- ▶ Available 24" to 96" in Length. may be Field Cut up to 3"
- ▶ Mortise Required $\frac{7}{8}$ " x $1\frac{3}{16}$ "
- ▶ #4 x $\frac{5}{8}$ " SMS Furnished
- ▶ $\frac{1}{2}$ " Max Drop

Finishes

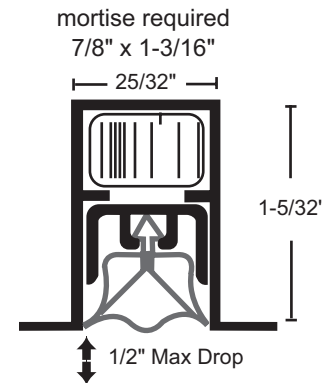
Mill Aluminum



NGP MEMPHIS
4985 East Raines Road
Memphis, TN 38118
orders@ngp.com

NGP VEGAS
4584 Calimesa Street
Las Vegas, NV 89115
vegasorders@ngp.com

| |
|---------------|
| PROJECT: |
| SUBMITTED BY: |
| DATE: |
| NOTES: |



NGP-GKT-4448S-PCS-0323-A

ngp.com
1-800-NGP-RUSH