



# 4447WH

Nylon Brush Dual Actuated, Mortise Automatic Door Bottom

## PRODUCT CUT SHEET

PROJECT:
SUBMITTED BY:
DATE:
NOTES:

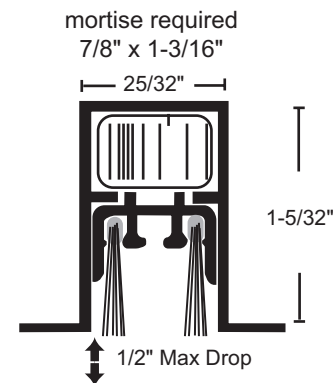
### Material

Aluminum Alloy 6063, T5 Temper  
Synthetic Polymer: Polyamide  
Nylon Brush

- ▶ Excellent Abrasion Resistance, Flexibility and Memory
- ▶ Moisture Resistant
- ▶ Retains Insecticides Well
- ▶ Temperature Range -70°F to 425°F
- ▶ Not Effective Against Water Penetration
- ▶ WILL NOT FUNCTION ON PAIRS OF DOORS
- ▶ Actuated by Frame Stop on Both Ends
- ▶ Low Compression & Operating Force
- ▶ Concealed Fasteners
- ▶ For Pairs Use Matching Single Actuated Door Bottoms
- ▶ Furnished  $\frac{1}{4}$ " Shorter Than Ordered to Fit Net Door Width.  
(i.e. 36" is Furnished  $35\frac{3}{4}$ " Net)
- ▶ Available 24" to 96" in Length. May Be Field Cut Up To 3"
- ▶ Mortise Required  $\frac{7}{8}$ " x  $1\frac{3}{16}$ "
- ▶ #4 x  $\frac{5}{8}$ " SMS Furnished
- ▶  $\frac{1}{2}$ " Max Drop

### Finishes

Mill Aluminum



NGP-GKT-4447WH-PCS-1220-A