



# 4441WH

Nylon Brush Single Actuated, Surface Automatic Door Bottom

## PRODUCT CUT SHEET

### Material

Aluminum Alloy 6063, T5 Temper  
Synthetic Polymer: Polyamide  
Nylon Brush is Black

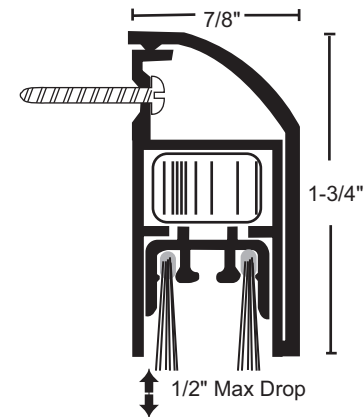
- ▶ Excellent Abrasion Resistance, Flexibility and Memory
- ▶ Moisture-Resistant
- ▶ Retains Insecticides Well
- ▶ Temperature Range -70°F to 425°F
- ▶ Not Effective Against Water Penetration
- ▶ Matches Design of Dual Actuated Door Bottoms
- ▶ For use on Pairs of Doors or Field Size for Single Doors
- ▶ Low Compression and Operating Force
- ▶ Concealed Fasteners
- ▶ Available 24" to 96" in Length
- ▶ May be Field Cut up to 3"
- ▶ Handed. Not Field Reversible
- ▶ #6 x 3/4" TEK Furnished
- ▶ 1/2" Max Drop

### Finishes

4441WHA Anodized Aluminum  
4441WHDKB Dark Bronze



|               |
|---------------|
| PROJECT:      |
| SUBMITTED BY: |
| DATE:         |
| NOTES:        |



NGP-GKT-4441WH-PCS-1123-A

## NATIONAL GUARD PRODUCTS, INC.

### MEMPHIS

4985 East Raines Road  
Memphis, TN 38118

### CARSON CITY

3689 Arrowhead Drive  
Carson City, NV 89706

Fax: (800) 255-7874

Email: [info@ngp.com](mailto:info@ngp.com)

Quotes: [quotes@ngp.com](mailto:quotes@ngp.com)

Orders: [orders@ngp.com](mailto:orders@ngp.com)

**ngp.com**  
1-800-NGP-RUSH