



4441S

Silicone Single Actuated, Surface Automatic Door Bottom

PRODUCT CUT SHEET

PROJECT:
SUBMITTED BY:
DATE:
NOTES:

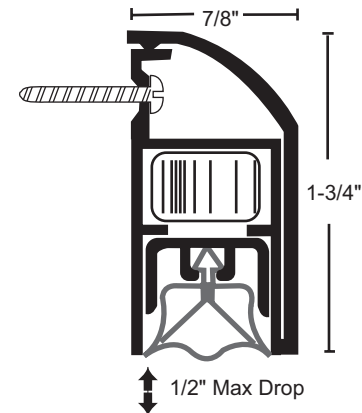
Material

Aluminum Alloy 6063, T5 Temper
Synthetic Rubber Polymer: Siloxane
Silicone is Gray

- ▶ Excellent Flexibility and Memory
- ▶ Flame-Resistant
- ▶ Moisture-Resistant
- ▶ Temperature Range -100°F To 500°F, Remains Flexible at Extreme Temperatures
- ▶ Excellent Resistance to Ozone, UV and Aging
- ▶ Recommended for Areas Using FM200 or Halon Fire Suppression Systems
- ▶ Matches Design of Dual Actuated Door Bottoms
- ▶ For use on Pairs of Doors or Field Size for Single Doors
- ▶ Low Compression and Operating Force
- ▶ Concealed Fasteners
- ▶ Available 24" to 96" in Length
- ▶ May be Field Cut up to 3"
- ▶ Handed. Not Field Reversible
- ▶ #6 x 3/4" TEK Furnished
- ▶ 1/2" Max Drop

Finishes

4441SA Anodized Aluminum
4441SDKB Dark Bronze



NGP-GKT-4441S-PCS-1123-A

NATIONAL GUARD PRODUCTS, INC.

MEMPHIS

4985 East Raines Road
Memphis, TN 38118

CARSON CITY

3689 Arrowhead Drive
Carson City, NV 89706

Fax: (800) 255-7874
Email: info@ngp.com

Quotes: quotes@ngp.com
Orders: orders@ngp.com

ngp.com
1-800-NGP-RUSH