



4440S

Silicone Dual-Actuated, Surface Automatic Door Bottom

PRODUCT CUT SHEET

PROJECT:
SUBMITTED BY:
DATE:
NOTES:

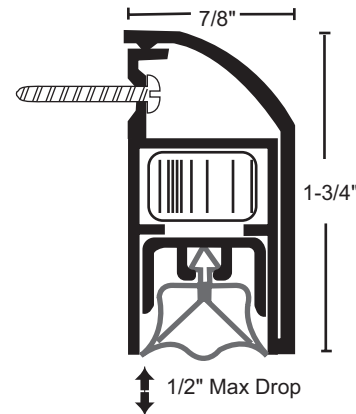
Material

Aluminum Alloy 6063, T5 Temper
Synthetic Rubber Polymer: Siloxane
Silicone is Gray

- ▶ Excellent Flexibility and Memory
- ▶ Flame Resistant
- ▶ Moisture Resistant
- ▶ Temperature Range -100°F To 500°F, Remains Flexible at Extreme Temperatures
- ▶ Excellent Resistance to Ozone, UV and Aging
- ▶ Recommended for Areas Using FM200 or Halon Fire Suppression Systems
- ▶ WILL NOT FUNCTION ON PAIRS OF DOORS
- ▶ Actuated by Frame Stop on Both Ends
- ▶ Low Compression & Operating Force
- ▶ Concealed Fasteners
- ▶ For Pairs Use Matching Single Actuated Door Bottoms
- ▶ Furnished 1 3/8" Shorter Than Ordered to Fit Between Stops on Frame. (i.e. 36" is Furnished 34 5/8")
- ▶ #6 x 3/4" TEK Furnished
- ▶ Available 24" to 96" in Length. May Be Field Cut Up To 3"
- ▶ 1/2" Max Drop

Finishes

4440SA Anodized Aluminum
4440SB Gold
4440SDKB Dark Bronze



NGP-GKT-4440S-PCS-1220-A