



423NA

Neoprene Heavy Duty Mortise Automatic Door Bottom

PRODUCT CUT SHEET

| |
|---------------|
| PROJECT: |
| SUBMITTED BY: |
| DATE: |
| NOTES: |

Material

Aluminum Alloy 6063, T6 Temper
 Synthetic EPDM Rubber in Polypropylene Thermoplastic Matrix
 Neoprene is Black

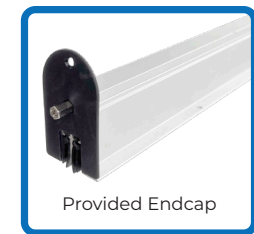
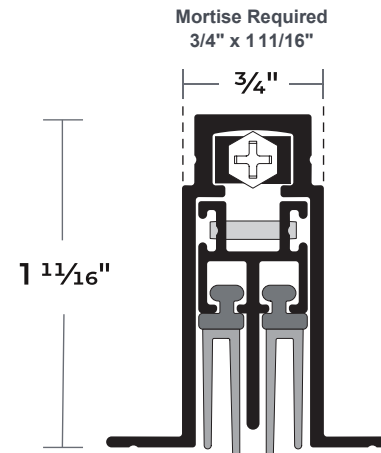
- BHMA Certified to ANSI/BHMA A156.22, 1,000,000 Cycle Test-Grade 1
- BHMA Certified to ANSI/BHMA A156.22 Performance Tests for Heat and Cold
- Very Good Abrasion Resistance, Tensile Strength and Memory
- Flame-Resistant
- Moisture-Resistant
- Temperature Range -81°F to 275°F
- Good Resistance to Ozone, Sunlight and Aging
- Use with a Threshold for Maximum Sealing Capability
- Nylon Brush Recommended for Carpet Applications Where No Threshold is Provided
- Specify Exact Net Length Required to Avoid Field Sizing
- Furnished 1/2" Shorter Than Ordered to Fit Within Net Door Size. (i.e. 36" is Furnished 35 1/2")
- ADB's from 12" to 18" Can be Cut Down 1/2". ADB's 20" and Over Can be Cut Down up to 1 1/2"
- Black Plastic End Caps Furnished Standard
- Fits Wood Fire Door Mortise Restrictions
- Mortise Required 3/4" x 1 11/16"
- Minimum Length 11 1/2", Maximum Length 60"
- 3/4" Max Drop
- Non-Handed

Finish

Anodized Aluminum

Options

Lead Insert Available for Radiation Shield – Specify 'Lead Lined'



Provided Endcap



NGP-GKT-423NA-PCS-0426-A

NATIONAL GUARD PRODUCTS, INC.

MEMPHIS

4985 East Raines Road
Memphis, TN 38118

CARSON CITY

3689 Arrowhead Drive
Carson City, NV 89706

Fax: (800) 255-7874

Email: info@ngp.com

Quotes: quotes@ngp.com

Orders: orders@ngp.com

ngp.com
1-800-NGP-RUSH