



# 3X427E

## Floor Closer Threshold

### PRODUCT CUT SHEET

PROJECT:
SUBMITTED BY:
DATE:
NOTES:

#### Material

Aluminum Alloy 6063, T5 Temper

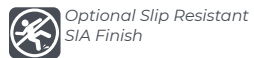
- ▶ 7" Wide x 1/2" Tall
- ▶ Fluted Top
- ▶ BHMA Certified to ANSI/BHMA A156.21 1,000 Lb. Load Test
- ▶ Thresholds Can Be Fabricated For Use With Any Floor Closer
- ▶ Typical Wall Thickness: .109"
- ▶ Weight: 1.08 Lbs./Ft.
- ▶ #10 x 1 1/2" FH Zinc Plated Wood Screws Included. Dark Bronze Supplied With DKB Thresholds

#### Finishes

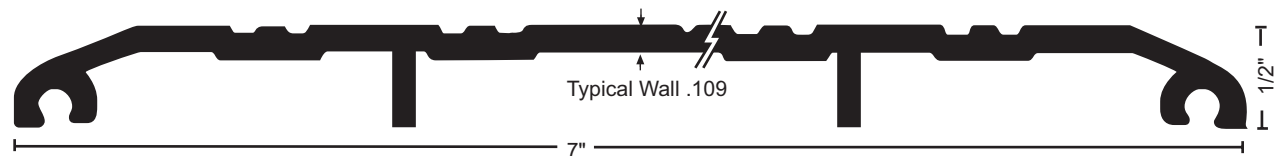
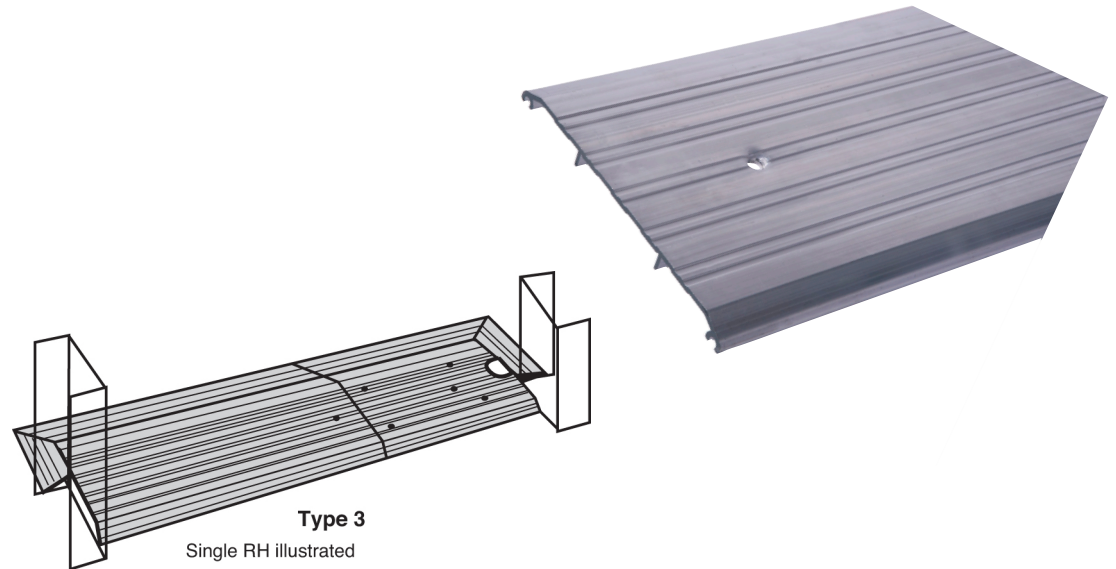
Mill Finish

DKB - Dark Bronze Finish

#### Options



Optional Slip Resistant SIA Finish



NGP-THR-3X427E-PCS-1023-A

#### NATIONAL GUARD PRODUCTS, INC.

##### MEMPHIS

4985 East Raines Road  
Memphis, TN 38118

##### CARSON CITY

3689 Arrowhead Drive  
Carson City, NV 89706

Fax: (800) 255-7874  
Email: info@ngp.com

Quotes: quotes@ngp.com  
Orders: orders@ngp.com

**ngp.com**  
1-800-NGP-RUSH