



Finned Vinyl Door Shoe

36EV



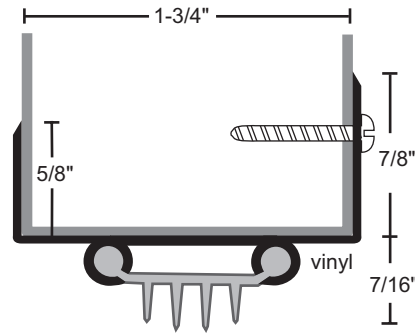
Material

Aluminum alloy 6063, T5 temper
 Thermoplastic polymer: Polyvinyl Chloride (PVC) formulated with an environmentally friendly Bio-based plasticizer
 Vinyl is gray

- Economical
- Flame resistant
- Moisture resistant
- Temperature range 0°F to 140°F
- Oxidative degradation from age and exposure to cold, heat and UV causes hardening, loss of memory and resilience, cracking, crazing and discoloration
- #6 x 3/4" stainless steel SMS furnished
- Screw holes slotted for adjustment

Finishes

36EV Mill Aluminum
 36EVDKB Dark Bronze



Project:
Submitted by:
Date:
Notes: