



35V

Vinyl Finned Door Shoe

PRODUCT CUT SHEET

PROJECT:
SUBMITTED BY:
DATE:
NOTES:

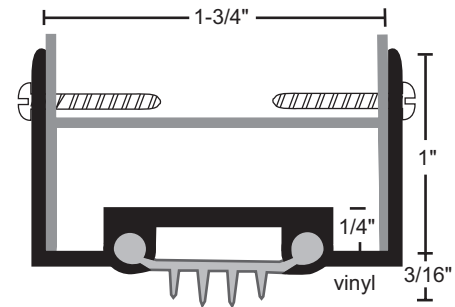
Material

Aluminum Alloy 6063, T5 Temper
Thermo-Plastic Vulcanizate (TPV)
Vinyl is Black

- ▶ Economical
- ▶ Flame resistant
- ▶ Moisture-Resistant
- ▶ Temperature Range -40°F to 250°F
- ▶ #6 x 3/4" Stainless Steel Sheet Metal Screws Furnished
- ▶ Screw Holes Slotted for Adjustment

Finishes

35VA Anodized Aluminum
35VDKB Dark Bronze



NGP-GKT-35V-PCS-0725-A

NATIONAL GUARD PRODUCTS, INC.

MEMPHIS

4985 East Raines Road
Memphis, TN 38118

CARSON CITY

3689 Arrowhead Drive
Carson City, NV 89706

Fax: (800) 255-7874
Email: info@ngp.com

Quotes: quotes@ngp.com
Orders: orders@ngp.com

ngp.com
1-800-NGP-RUSH