



# 335NA

## Neoprene Mortise Automatic Door Bottom

### PRODUCT CUT SHEET

PROJECT:
SUBMITTED BY:
DATE:
NOTES:

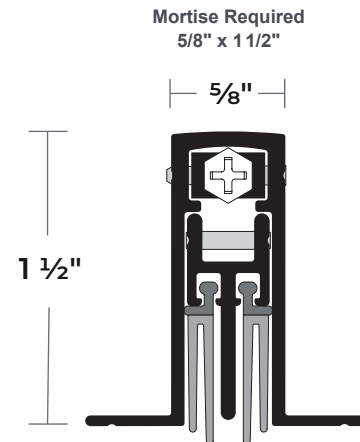
#### Material

Aluminum Alloy 6063, T6 Temper  
 Synthetic EPDM Rubber in Polypropylene Thermoplastic Matrix  
 Neoprene is Black

- BHMA Certified to ANSI/BHMA A156.22, 1,000,000 Cycle Test-Grade 1
- BHMA Certified to ANSI/BHMA A156.22 Performance Tests for Heat and Cold
- Very Good Abrasion Resistance, Tensile Strength and Memory
- Flame-Resistant
- Moisture-Resistant
- Temperature Range -81°F to 275°F
- Good Resistance to Ozone, Sunlight and Aging
- Use With a Threshold for Maximum Sealing Capability
- Nylon Brush Recommended for Carpet Applications Where No Threshold is Provided
- Specify Exact Net Length Required to Avoid Field Sizing
- Furnished ½" Shorter Than Ordered to Fit Within Net Door Size. (i.e. 36" is Furnished 35 ½")
- ADB's from 12" to 18" Can be Cut Down ½". ADB's 20" and Over Can be Cut Down up to 1 ½"
- Black Plastic End Caps Furnished Standard
- Minimum Length 11 ½", Maximum Length 60"
- Fits Wood Fire Door Mortise Restrictions
- Mortise Required 5/8" x 1 ½"
- ¾" Max Drop
- Non-Handed

**Finish**  
 Anodized Aluminum

**Options**  
 Lead Insert Available for Radiation Shield –  
 Specify 'Lead Lined'



Provided Endcap

NGP-GKT-335N-PCS-0426-A

#### NATIONAL GUARD PRODUCTS, INC.

**MEMPHIS**  
 4985 East Raines Road  
 Memphis, TN 38118

**CARSON CITY**  
 3689 Arrowhead Drive  
 Carson City, NV 89706

**Fax:** (800) 255-7874  
**Email:** info@ngp.com

**Quotes:** quotes@ngp.com  
**Orders:** orders@ngp.com

**ngp.com**  
 1-800-NGP-RUSH