



# 320N

NGP-TPV Automatic Door Bottom for Hollow Metal Doors

## PRODUCT CUT SHEET

PROJECT:
SUBMITTED BY:
DATE:
NOTES:

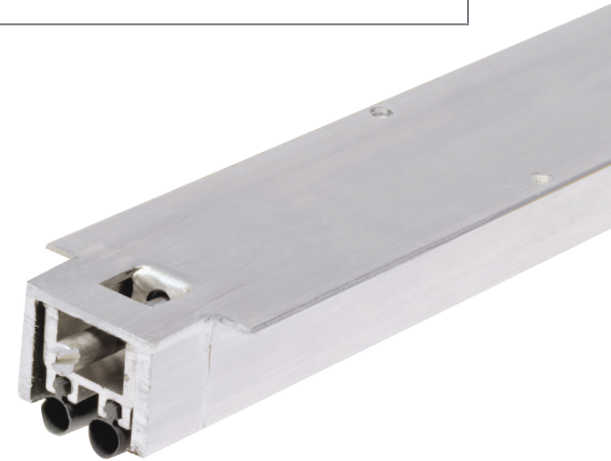
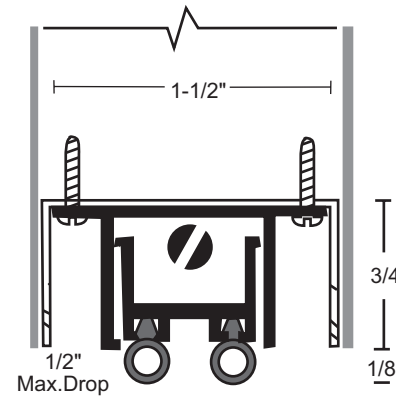
### Material

Aluminum Alloy 6063, T5 Temper  
Thermo-Plastic Vulcanizate (TPV)  
NGP-TPV is Black

- ▶ Very Good Abrasion Resistance, Tensile Strength and Memory
- ▶ Flame-Resistant
- ▶ Moisture-Resistant
- ▶ Temperature Range -81°F to 275°F
- ▶ Good Resistance to Ozone, Sunlight and Aging
- ▶ Fits in 1 5/8" x 3/4" Channel. A "Furring Strip" May Be Used to Lower Automatic Door Bottom When a Deeper Channel is Used
- ▶ Furnished 1/2" Shorter Than Ordered to Fit Within Net Door Size. (i.e. 36" is Furnished 35 1/2") May Be Field Cut up to 4"
- ▶ Fire Ratings Apply to Metal Doors Only
- ▶ #4 x 5/8" SMS Furnished
- ▶ End Caps Not Available
- ▶ Available 24" to 48" in Length
- ▶ 1/2" Max Drop

### Finish

Mill Aluminum



NGP-GKT-320N-PCS-1223-A

## NATIONAL GUARD PRODUCTS, INC.

### MEMPHIS

4985 East Raines Road  
Memphis, TN 38118

### CARSON CITY

3689 Arrowhead Drive  
Carson City, NV 89706

Fax: (800) 255-7874

Email: info@ngp.com

Quotes: quotes@ngp.com

Orders: orders@ngp.com

**ngp.com**  
1-800-NGP-RUSH