



# 319EV

## Vinyl Finned Door Shoe

### PRODUCT CUT SHEET

#### Material

Aluminum Alloy 6063, T5 Temper  
Thermoplastic Polymer: Polyvinyl Chloride (PVC) Formulated  
with an Environmentally Friendly Bio-Based Plasticizer  
Vinyl is Gray

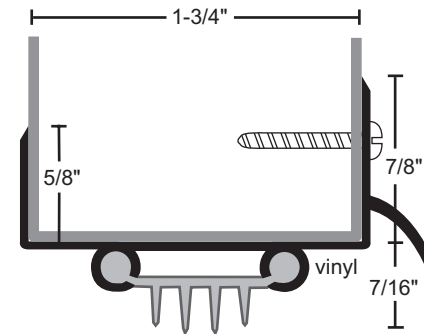
- ▶ Economical
- ▶ Flame resistant
- ▶ Moisture-Resistant
- ▶ Temperature Range 0°F to 140°F
- ▶ Oxidative Degradation from Age and Exposure to Cold,  
Heat and UV Causes Hardening, Loss of Memory and  
Resilience, Cracking, Crazeing and Discoloration
- ▶ #6 x 3/4" Stainless Steel Sheet Metal Screws Furnished
- ▶ Screw Holes Slotted for Adjustment

#### Finishes

319EV Mill Aluminum  
319EVDKB Dark Bronze



PROJECT:
SUBMITTED BY:
DATE:
NOTES:



NGP-GKT-319EV-PCS-1123-A

#### NATIONAL GUARD PRODUCTS, INC.

##### MEMPHIS

4985 East Raines Road  
Memphis, TN 38118

##### CARSON CITY

3689 Arrowhead Drive  
Carson City, NV 89706

**Fax:** (800) 255-7874

**Email:** info@ngp.com

**Quotes:** quotes@ngp.com

**Orders:** orders@ngp.com

**ngp.com**  
1-800-NGP-RUSH