



Thermoplastic Door Shoe

319ET6



Material

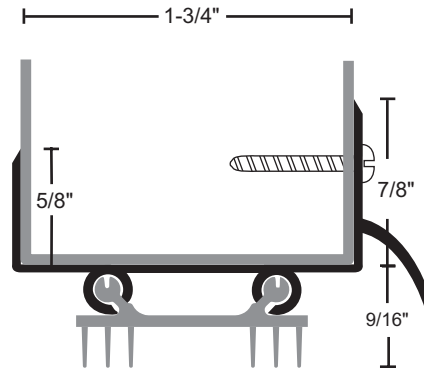
Aluminum alloy 6063, T5 temper
Thermoplastic polymer: Polyvinyl Chloride (PVC) formulated with an environmentally friendly Bio-based plasticizer
Seal with rigid base and soft vinyl fins is dark brown

- Economical
- Flame resistant
- Moisture resistant
- Temperature range 0°F to 140°F
- Oxidative degradation from age and exposure to cold, heat and UV causes hardening, loss of memory and resilience, cracking, crazing and discoloration
- #6 x 3/4" stainless steel SMS furnished

Finishes

319ET6 Mill Aluminum

319ET6DKB Dark Bronze



Project:

Submitted by:

Date:

Notes: