



# Finned Vinyl Door Shoe 318V



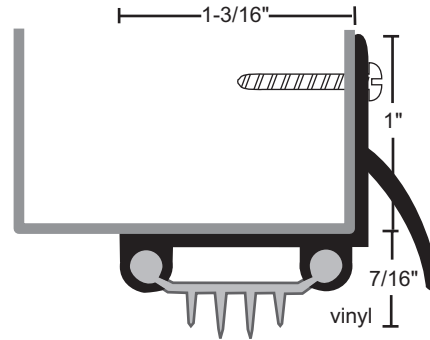
### Material

Aluminum alloy 6063, T5 temper  
Thermoplastic polymer: Polyvinyl Chloride (PVC) formulated with an environmentally friendly Bio-based plasticizer  
Vinyl is gray

- Economical
- Flame resistant
- Moisture resistant
- Temperature range 0°F to 140°F
- Oxidative degradation from age and exposure to cold, heat and UV causes hardening, loss of memory and resilience, cracking, crazing and discoloration
- #6 x 3/4" stainless steel SMS furnished
- Screw holes slotted for adjustment

### Finishes

318V Mill Aluminum  
318VDKB Dark Bronze



<b>Project:</b>
<b>Submitted by:</b>
<b>Date:</b>
<b>Notes:</b>