



225N

Neoprene Mortise Automatic Door Bottom

PRODUCT CUT SHEET

PROJECT:
SUBMITTED BY:
DATE:
NOTES:

Material

Aluminum Alloy 6063, T5 Temper
 Synthetic Rubber Polymer Blend: PVC, Nitrile Rubber (NBR), and Chloroprene Closed Cell Advanced Elastomeric Foam
 Neoprene is Black

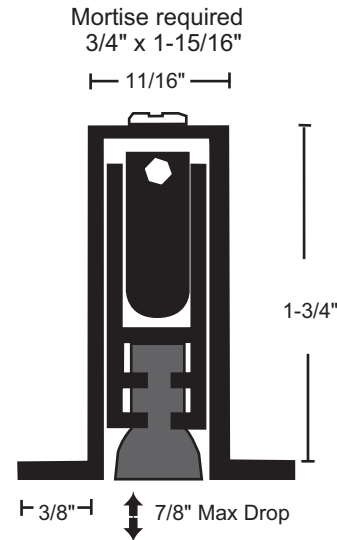
- BHMA Certified to ANSI/BHMA A156.22, 1,000,000 Cycle Test-Grade 1
- BHMA Certified to ANSI/BHMA A156.22 Performance Tests for Heat and Cold
- Very Good Abrasion Resistance, Tensile Strength and Memory
- Flame Resistant
- Moisture Resistant
- Temperature Range -20°F to 200°F
- Good Resistance to Ozone, Sunlight and Aging
- Use with a Threshold for Maximum Sealing Capability
- Nylon Brush Recommended for Carpet Applications Where No Threshold is Provided
- Specify Exact Net Length Required to Avoid Field Sizing
- 36" and Longer May Be Cut Up To 4" in the Field, Under 36" Should Not Be Cut in the Field, Order Net Length
- Furnished 1/2" Shorter Than Ordered to Fit Within Net Door Size. (i.e. 36" is Furnished 35 1/2")
- Available 11" Net to 60" in Length
- End Caps Furnished Standard
- Mortise Required 3/4" x 1 15/16"
- 7/8" Max Drop

Finish

Mill Aluminum

Options

Lead Insert Available for Radiation Shield - Specify "Lead-Lined"



NGP-GKT-225N-PCS-1220-A