



NATIONAL GUARD
PRODUCTS

Finger Guard 2252



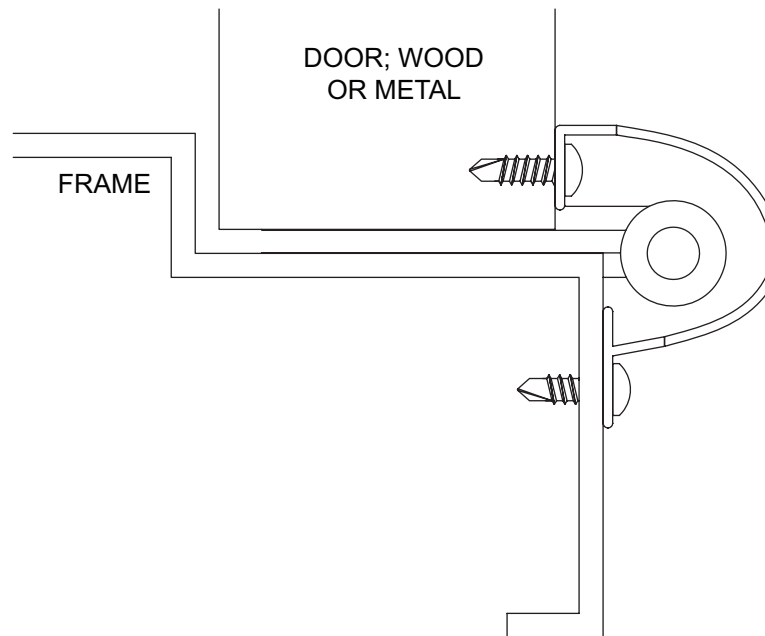
Material

Flexible Vinyl with Rigid Thermoplastic Base

- Designed to help prevent injury to fingers accidentally placed in the hinge area of a door
- Flexible Vinyl with rigid thermoplastic base
- Available in brown, charcoal and white
- 83" length
- Can be cut in the field
- Mounts on pull side of door
- #6 x 1/2" Tek self-drilling screws
- Fire rated up to 3 hours metal doors, 1-1/2 hours wood doors

Finishes

2252B	Brown
2252C	Charcoal
2252W	White



Project:

Submitted by:

Date:

Notes: