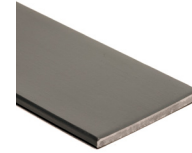


## Solid Metal Astragals

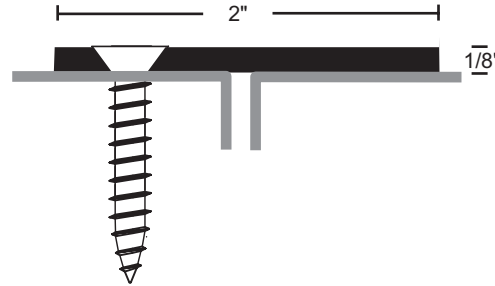
- Available lead-lined .030" thick lead, suffix "LD"
- Available with SNB, specify



**139SP** Steel Prime Coat  
**139SPDKB** Steel Dark Bronze

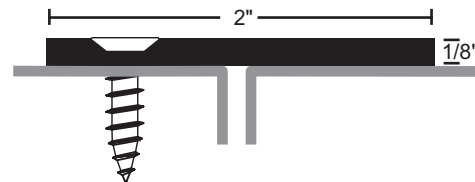


Furnished with #12 x 1-1/4" SMS. Can replace astragal required by the door manufacturer on wood or metal fire-rated doors. IBC, NFPA80, NFPA 252 require the gap at the meeting edge between fire labeled doors must not exceed 1/8". Astragal must overlap gap and inactive door minimum of 3/4".



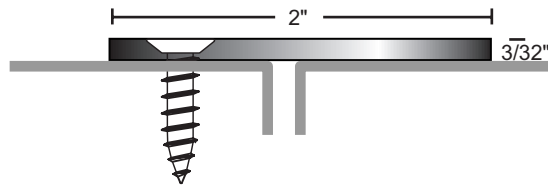
**139A** Anodized Aluminum  
**139DKB** Aluminum Dark Bronze  
**139BR** Brass

**BHMA** #10 x 3/4" SMS furnished

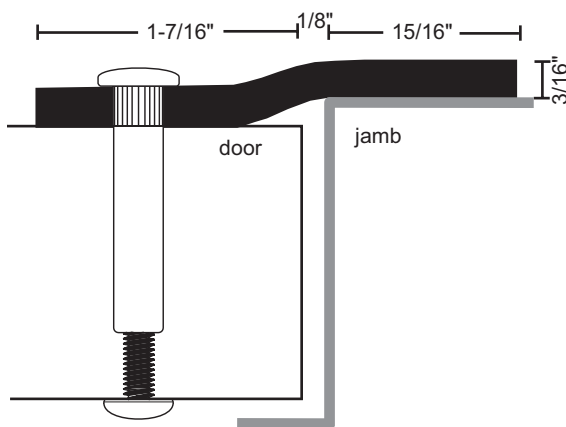


**139SS** Stainless Steel  
type 304 brushed #4 finish (US32D, 630)

**BHMA** #10 x 3/4" SMS furnished



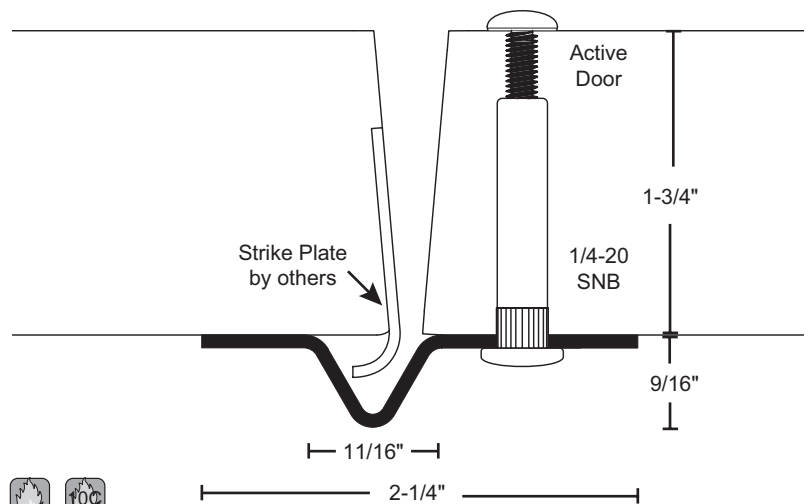
## Steel Security Astragals



**1392SP** Steel Prime Coat



Maximum height 120"  
#1/4-20 SNB's furnished.



**1390SP-83-1/8"** 14 Ga. Galvanneal Steel  
**1390SP-95-1/8"** Prime Coat

No notching or field cutting needed for curved lip strikes