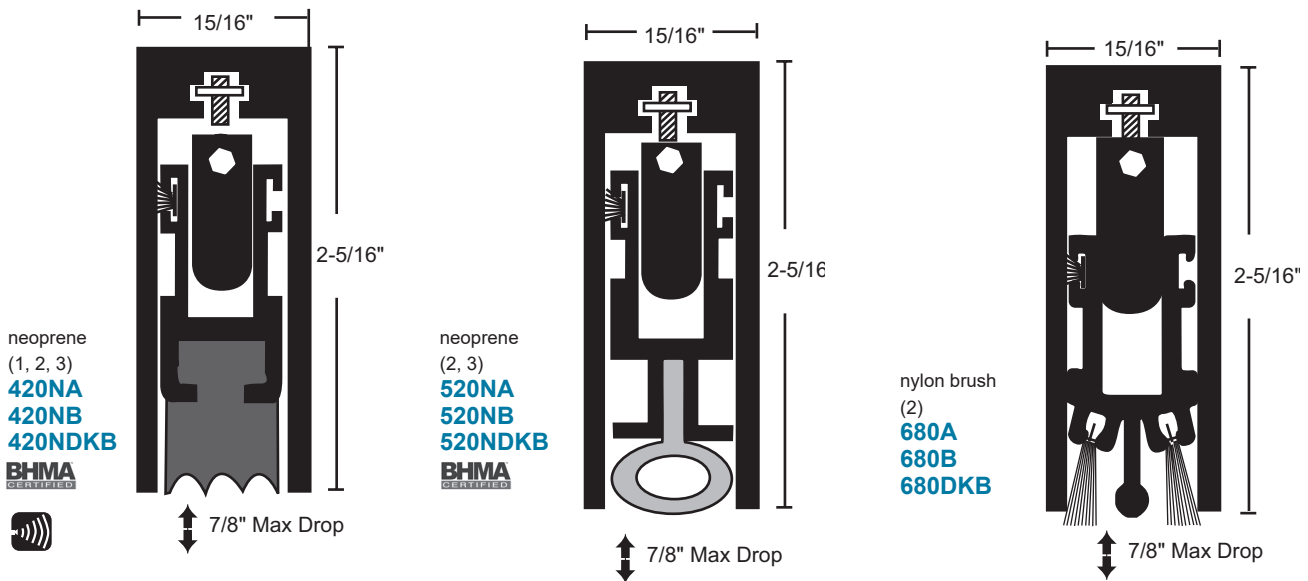
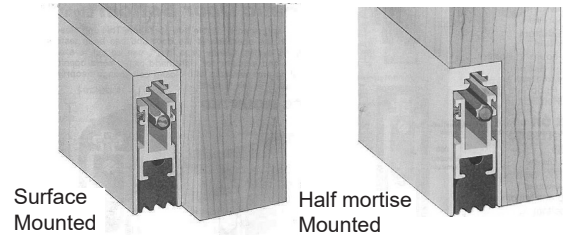


Automatic Door Bottoms - Heavy Duty Surface

All products this page



- Mounts on push side of door
- Use with a threshold for maximum sealing capability
- Nylon brush recommended for carpet applications where no threshold is provided
- Specify exact net length required to avoid field sizing
- 36" and longer may be cut up to 4" in the field, under 36" should not be cut in the field, order net length
- Minimum length 11", maximum length 60"
- End caps furnished standard



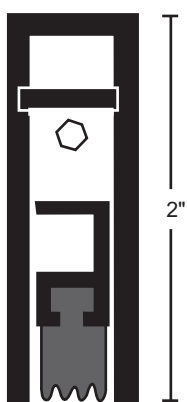
1. Lead insert available for radiation shield - specify "lead-lined".
2. For half mortise applications specify HM in item number prior to finish (ie: 420NHMDKB).
3. BHMA certified to ANSI/BHMA A156.22, 1,000,000 cycle test-grade 1.

Sliding or Pocket Doors Surface or Half Mortise - Heavy Duty

E-Z Touch

SURFACE

5/8"



3/4" Max Drop

neoprene	silicone
223NA	223SA
223NB	223SB
223NDKB	223SDKB

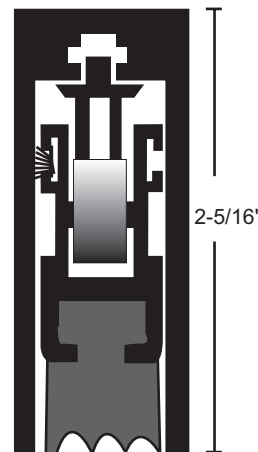
The EZ-Touch door bottom requires only 3 to 5 pounds of pressure to activate.

Perfect for accessibility applications and still provides an effective seal.

Available 23-1/4" net to 48" in length.

End caps furnished standard

15/16"



7/8" Max Drop

neoprene (1)
421NA
421NB
421NDKB

Designed for use on sliding or pocket doors. A series of actuating bars keep the seal parallel to the sill or threshold until the door is in the closed position.

Available 11" to 144" in length.

End caps not available