



Floor Closer Threshold 1X430E



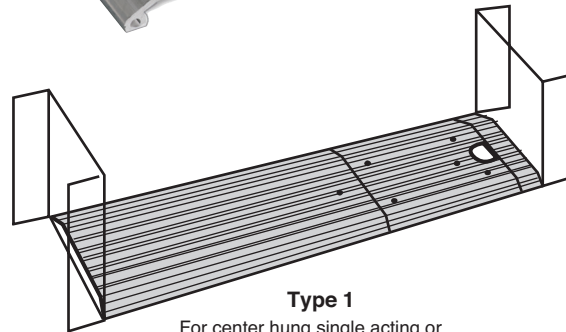
Materials & Finishes

Aluminum alloy 6063, T5 temper
Mill finish
DKB - dark bronze finish

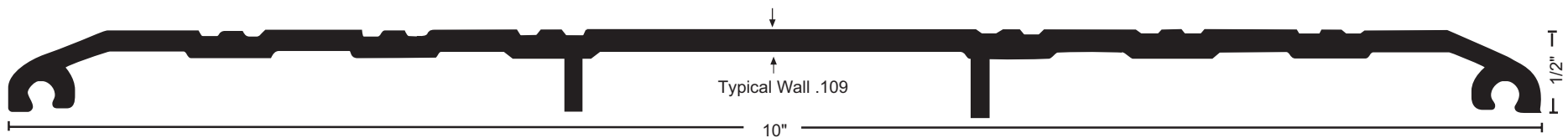
- 10" wide x 1/2" tall
- Fluted top
- Thresholds can be fabricated for use with any floor closer
- BHMA certified to ANSI/BHMA A156.21 1,000 lb. load test
- Typical wall thickness .109"
- Weight: 1.59 lbs./ft.
- #10 x 1-1/2" FH zinc plated wood screws included. Dark bronze supplied with DKB thresholds

Options:

- Optional Vinyl Foot Seal
Used instead of caulking to increase the weather resistance of the threshold
- Optional Slip Resistant SIA Finish



Type 1
For center hung single acting or double acting. Ends not mitered.



Project:
Submitted by:
Date:
Notes: