



18V

Smooth Vinyl Door Shoe

PRODUCT CUT SHEET

PROJECT:
SUBMITTED BY:
DATE:
NOTES:

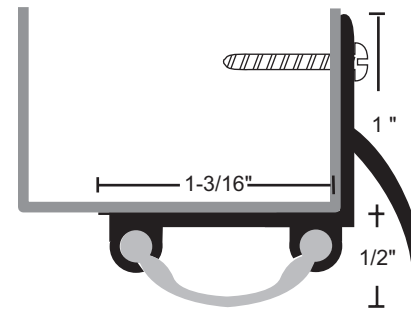
Material

Aluminum Alloy 6063, T5 Temper
Thermoplastic Polymer: Polyvinyl Chloride (PVC) Formulated with an Environmentally Friendly Bio-Based Plasticizer
Vinyl is Gray

- ▶ Economical
- ▶ Flame resistant
- ▶ Moisture Resistant
- ▶ Temperature Range 0°F to 140°F
- ▶ Oxidative Degradation From Age and Exposure to Cold, Heat and UV Causes Hardening, Loss of Memory and Resilience, Cracking, Crazeing and Discoloration
- ▶ #6 x 3/4" Stainless Steel Sheet Metal Screws Furnished
- ▶ Screw Holes Slotted for Adjustment

Finishes

18VA Anodized Aluminum
18VDKB Dark Bronze



NGP-GKT-18V-PCS-1220-A