



172V

Concealed Fastener Vinyl Perimeter Seal

PRODUCT CUT SHEET

Material

Aluminum Alloy 6063, T5 Temper
Thermoplastic Polymer: Polyvinyl Chloride (PVC) Formulated
With an Environmentally Friendly Bio-Based Plasticizer
Vinyl is Gray

- ▶ Economical
- ▶ Flame Resistant
- ▶ Moisture Resistant
- ▶ Temperature Range 0°F to 140°F
- ▶ Oxidative Degradation From Age and Exposure to Cold, Heat and UV Causes Hardening, Loss of Memory and Resilience, Cracking, Crazeing and Discoloration
- ▶ Snap-On Cover Conceals Screw Heads for Clean Appearance
- ▶ #6 X 3/4" Stainless Steel Sheet Metal Screws Furnished
- ▶ Screw Holes Slotted for Adjustment

Finishes

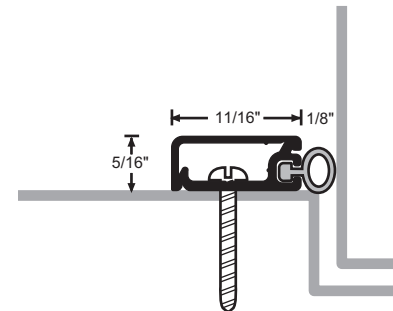
172VA	Anodized Aluminum	Gray Vinyl
172VB	Gold	Gray Vinyl
172VDKB	Dark Bronze	Black Vinyl

Options

FATT - Fast Attach Tape



PROJECT:
SUBMITTED BY:
DATE:
NOTES:



NGP-GKT-172V-PCS-1120-A