



# 172S

## Concealed Fastener Silicone Perimeter Seal

### PRODUCT CUT SHEET

#### Material

Aluminum Alloy 6063, T5 Temper  
Synthetic Rubber Polymer: Siloxane  
Silicone is Black

- ▶ Excellent Flexibility and Memory
- ▶ Flame Resistant
- ▶ Moisture Resistant
- ▶ Temperature Range -100°F to 500°F, Remains Flexible at Extreme Temperatures
- ▶ Excellent Resistance to Ozone, UV and Aging
- ▶ Recommended for Areas Using FM200 or Halon Fire Suppression Systems
- ▶ BHMA Certified to ANSI/BHMA A156.22 Performance Tests for Heat, Cold, Air Infiltration and Smoke Infiltration
- ▶ Snap-On Cover Conceals Screw Heads for Clean Appearance
- ▶ #6 X 3/4" Stainless Steel Sheet Metal Screws Furnished
- ▶ Screw Holes Slotted for Adjustment

#### Finishes

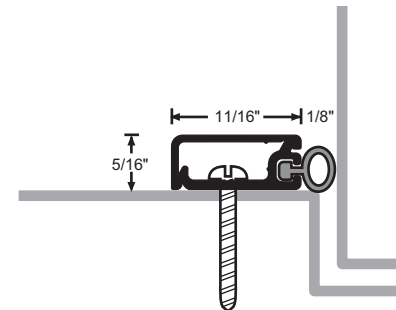
172SA Anodized Aluminum  
172SB Gold Aluminum  
172SDKB Dark Bronze

#### Options

FATT - Fast Attach Tape



PROJECT:
SUBMITTED BY:
DATE:
NOTES:



NGP-GKT-172S-PCS-1120-A