



# 170P

## Concealed Fastener Pile Perimeter Seal

### PRODUCT CUT SHEET

#### Material

Aluminum Alloy 6063, T5 Temper  
Polypropylene Pile is Gray

- ▶ Snap-On Cover Conceals Screw Heads for Clean Appearance
- ▶ #6 X 3/4" Stainless Steel Sheet Metal Screws Furnished
- ▶ Screw Holes Slotted for Adjustment

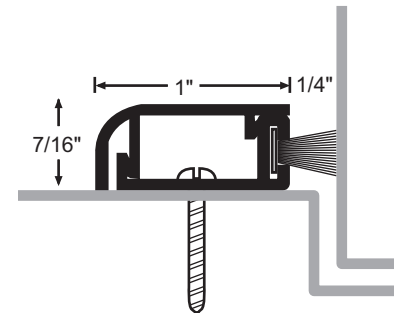
#### Finishes

170PA	Anodized Aluminum	Gray Brush
170PDKB	Dark Bronze	Black Brush

#### Options

FATT - Fast Attach Tape

PROJECT:
SUBMITTED BY:
DATE:
NOTES:



NGP-GKT-170P-PCS-1123-A

#### NATIONAL GUARD PRODUCTS, INC.

##### MEMPHIS

4985 East Raines Road  
Memphis, TN 38118

##### CARSON CITY

3689 Arrowhead Drive  
Carson City, NV 89706

**Fax:** (800) 255-7874  
**Email:** info@ngp.com

**Quotes:** quotes@ngp.com  
**Orders:** orders@ngp.com

**ngp.com**  
1-800-NGP-RUSH