



# 158V

## Vinyl Overlapping Astragal

### PRODUCT CUT SHEET

PROJECT:
SUBMITTED BY:
DATE:
NOTES:

#### Material

Aluminum Alloy 6063, T5 Temper  
Thermoplastic Polymer: Polyvinyl Chloride (PVC) Formulated with an Environmentally Friendly Bio-Based Plasticizer  
Vinyl is Black

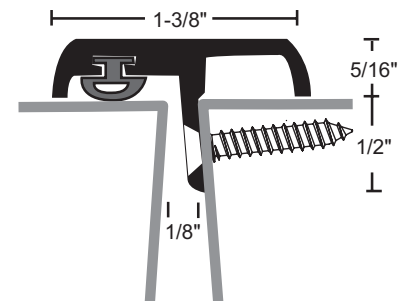
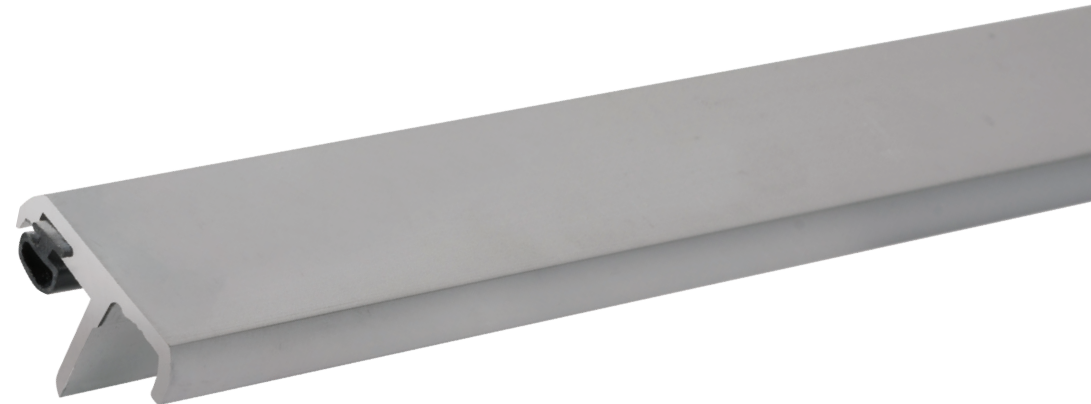
- ▶ Economical
- ▶ Flame-resistant
- ▶ Moisture-Resistant
- ▶ Temperature Range 0°F to 140°F
- ▶ Oxidative Degradation from Age and Exposure to Cold, Heat and UV Causes Hardening, Loss of Memory and Resilience, Cracking, Crazeing and Discoloration
- ▶ Maximum Height 120"
- ▶ Fits Beveled Edge Doors
- ▶ #8 X 1" FH U/C SMS Furnished

#### Finishes

158VA Anodized Aluminum  
158VDKB Dark Bronze

#### Options

FATT - Fast Attach Tape



NGP-GKT-158V-PCS-1223-A

#### NATIONAL GUARD PRODUCTS, INC.

##### MEMPHIS

4985 East Raines Road  
Memphis, TN 38118

##### CARSON CITY

3689 Arrowhead Drive  
Carson City, NV 89706

Fax: (800) 255-7874

Email: info@ngp.com

Quotes: quotes@ngp.com

Orders: orders@ngp.com

**ngp.com**  
1-800-NGP-RUSH