



NATIONAL GUARD
PRODUCTS

Overlapping Astragal

158S Silicone



Material

Aluminum alloy 6063, T5 temper
Synthetic rubber polymer: Siloxane
Silicone is black

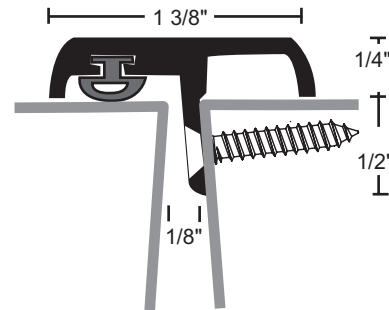
- Excellent flexibility and memory
- Flame resistant
- Moisture resistant
- Temperature range -100°F to 500°F, remains flexible at extreme temperatures
- Excellent resistance to ozone, UV and aging
- Recommended for areas using FM200 or Halon Fire Suppression Systems
- BHMA Certified to ANSI/BHMA A156.22 performance tests for heat, cold, air infiltration and smoke infiltration
- Maximum height 120"
- Fits beveled edge doors
- #8 X 1" FH U/C SMS furnished

Finishes

158SA Anodized Aluminum
158SDKB Dark Bronze

Options

FATT - Fast Attach Tape



Project:

Submitted by:

Date:

Notes: