



158N

NGP-TPV Overlapping Astragal

PRODUCT CUT SHEET

PROJECT:
SUBMITTED BY:
DATE:
NOTES:

Material

Aluminum Alloy 6063, T5 Temper
Thermo-Plastic Vulcanizate (TPV)
NGP-TPV is Black

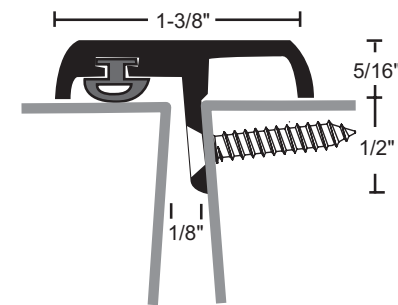
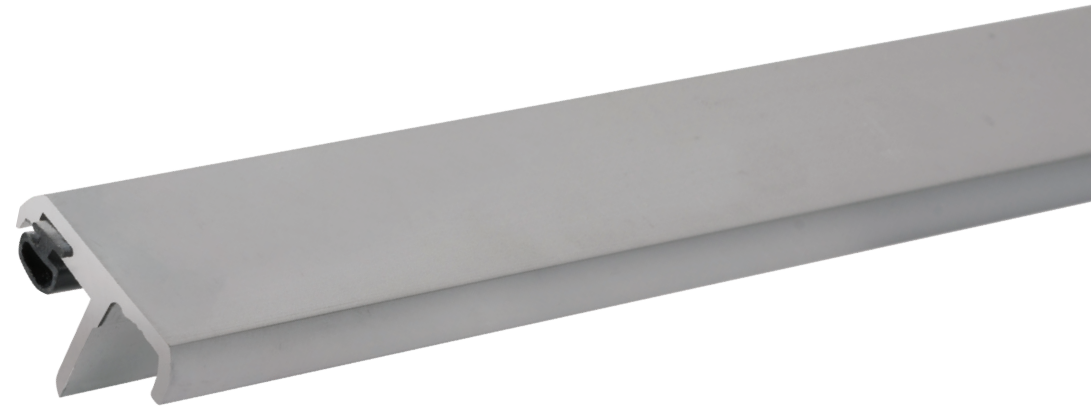
- ▶ Very Good Abrasion Resistance, Tensile Strength and Memory
- ▶ Flame-resistant
- ▶ Moisture-Resistant
- ▶ Temperature Range -81°F to 275°F
- ▶ Good Resistance to Ozone, Sunlight and Aging
- ▶ BHMA Certified to ANSI/BHMA A156.22 Performance Tests for Heat and Cold
- ▶ Maximum Height 120"
- ▶ Fits Beveled Edge Doors
- ▶ #8 X 1" FH U/C SMS Furnished

Finishes

158NA Anodized Aluminum
158NDKB Dark Bronze

Options

FATT - Fast Attach Tape



NGP-GKT-158N-PCS-1223-A

NATIONAL GUARD PRODUCTS, INC.

MEMPHIS

4985 East Raines Road
Memphis, TN 38118

CARSON CITY

3689 Arrowhead Drive
Carson City, NV 89706

Fax: (800) 255-7874
Email: info@ngp.com

Quotes: quotes@ngp.com
Orders: orders@ngp.com

ngp.com
1-800-NGP-RUSH