



13T

Thermoplastic Door Shoe

PRODUCT CUT SHEET

PROJECT:
SUBMITTED BY:
DATE:
NOTES:

Material

Aluminum Alloy 6063, T5 Temper
Thermoplastic Polymer: Polyvinyl Chloride (PVC) Formulated with an Environmentally Friendly Bio-Based Plasticizer
Seal with Rigid Base and Soft Vinyl Fins is Dark Brown

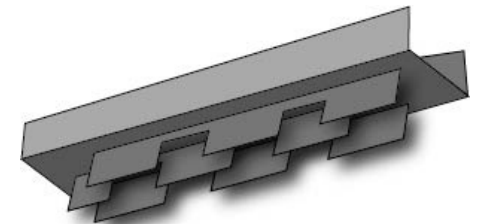
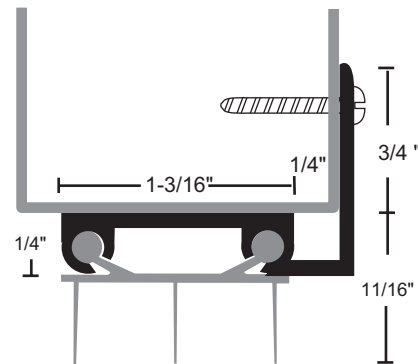
- ▶ Economical
- ▶ Flame resistant
- ▶ Moisture Resistant
- ▶ Temperature Range 0°F to 140°F
- ▶ Oxidative Degradation From Age and Exposure to Cold, Heat and UV Causes Hardening, Loss of Memory and Resilience, Cracking, Crazeing and Discoloration
- ▶ #6 x 3/4" Stainless Steel Sheet Metal Screws Furnished
- ▶ 48" Maximum Length

Finishes

13TA Anodized Aluminum
13TDKB Dark Bronze

Options

Notched Fins - Suffix "NF"



Optional: Notched Fins - Suffix "NF"
Allows air flow while restricting light



NGP-GKT-13T-PCS-1220-A