



# 135N

## Neoprene Dense Bulb Seal

### PRODUCT CUT SHEET

#### Material

Aluminum Alloy 6063, T5 Temper  
Synthetic EPDM Rubber in Polypropylene Thermoplastic Matrix  
Color is Black

- ▶ Very Good Abrasion Resistance, Tensile Strength and Memory
- ▶ Flame-Resistant
- ▶ Moisture-Resistant
- ▶ Temperature Range -81°F to 275°F
- ▶ Good Resistance To Ozone, Sunlight and Aging
- ▶ BHMA Certified to ANSI/BHMA A156.22 Performance Tests for Heat and Cold
- ▶ #6 x 3/4" Stainless Steel Sheet Metal Screws Furnished
- ▶ Screw Holes Slotted for Adjustment

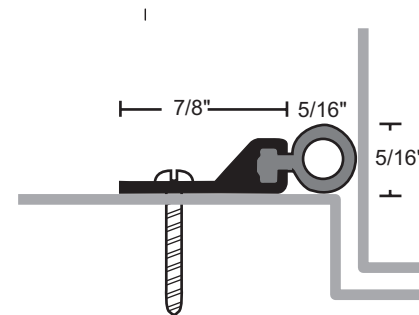
#### Finishes

135N Mill Aluminum  
135NA Anodized Aluminum  
135NDKB Dark Bronze

#### Options

FATT - Fast Attach Tape

PROJECT:
SUBMITTED BY:
DATE:
NOTES:



NGP-GKT-135N-PCS-1223-A

#### NATIONAL GUARD PRODUCTS, INC.

##### MEMPHIS

4985 East Raines Road  
Memphis, TN 38118

##### CARSON CITY

3689 Arrowhead Drive  
Carson City, NV 89706

**Fax:** (800) 255-7874  
**Email:** info@ngp.com

**Quotes:** quotes@ngp.com  
**Orders:** orders@ngp.com

**ngp.com**  
1-800-NGP-RUSH