



127SSS

Stainless Steel Silicone Perimeter Seal

PRODUCT CUT SHEET

PROJECT:
SUBMITTED BY:
DATE:
NOTES:

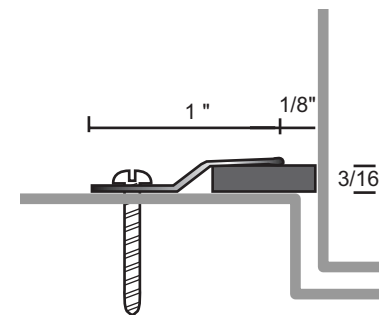
Material

Stainless Steel Type 304
Synthetic Rubber Polymer: Siloxane Closed Cell Sponge
Silicone is Gray

- ▶ Excellent Flexibility and Memory
- ▶ Flame Resistant
- ▶ Moisture Resistant
- ▶ Temperature Range -100°F to 500°F, Remains Flexible at Extreme Temperatures
- ▶ Excellent Resistance to Ozone, UV and Aging
- ▶ Recommended for Areas Using FM200 or Halon Fire Suppression Systems
- ▶ BHMA Certified to ANSI/BHMA A156.22 Performance Tests for Heat and Cold
- ▶ #6 x 3/4" Stainless Steel SMS Furnished
- ▶ Screw Holes Slotted for Adjustment

Finishes

Brushed #4 Finish (US32D, 630)



NGP-GKT-127SSS-PCS-0720-A