



127N

Neoprene Closed Cell Sponge Seal

PRODUCT CUT SHEET

PROJECT:
SUBMITTED BY:
DATE:
NOTES:

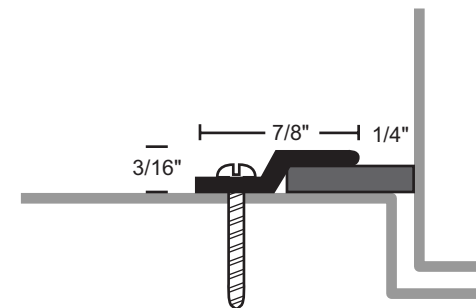
Material

Aluminum Alloy 6063, T5 Temper
Synthetic Rubber Polymer Blend: PVC, Nitrile Rubber (NBR), and Chloroprene Closed Cell Advanced Elastomeric Foam
Neoprene is Black

- ▶ Very Good Abrasion Resistance, Tensile Strength and Memory
- ▶ Flame Resistant
- ▶ Moisture Resistant
- ▶ Temperature Range -20°F to 200°F
- ▶ Good Resistance to Ozone, Sunlight and Aging
- ▶ BHMA Certified to ANSI/BHMA A156.22 Performance Tests for Heat and Cold
- ▶ #6 x 3/4" Stainless Steel Sheet Metal Screws Furnished
- ▶ Screw Holes Slotted for Adjustment

Finishes

127NA Anodized Aluminum
127NB Gold
127NDKB Dark Bronze



NGP-GKT-127N-PCS-1120-A