



# 119N

## Neoprene Door Shoe

### PRODUCT CUT SHEET

PROJECT:
SUBMITTED BY:
DATE:
NOTES:

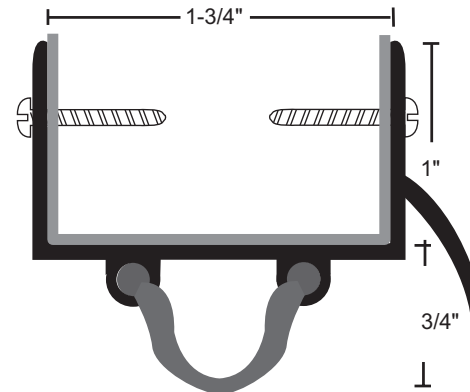
#### Material

Aluminum Alloy 6063, T5 Temper  
Synthetic Rubber Polymer Blend: Chloroprene and EPDM  
Neoprene is Black

- ▶ Very Good Abrasion Resistance, Tensile Strength and Memory
- ▶ Flame Resistant
- ▶ Moisture Resistant
- ▶ Temperature Range -20°F to 200°F
- ▶ Good Resistance to Ozone, Sunlight and Aging
- ▶ BHMA Certified to ANSI/BHMA A156.22 Performance Tests for Heat and Cold
- ▶ #6 x 3/4" Stainless Steel SMS Furnished
- ▶ Screw Holes Slotted for Adjustment

#### Finishes

119N Anodized Aluminum  
119NB Gold  
119NDKB Dark Bronze



NGP-GKT-119N-PCS-0720-A