



101V

Vinyl Sweep with Rain Drip Guard

PRODUCT CUT SHEET

PROJECT:
SUBMITTED BY:
DATE:
NOTES:

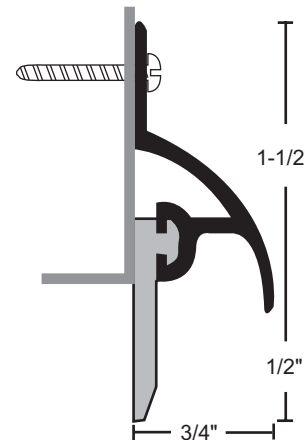
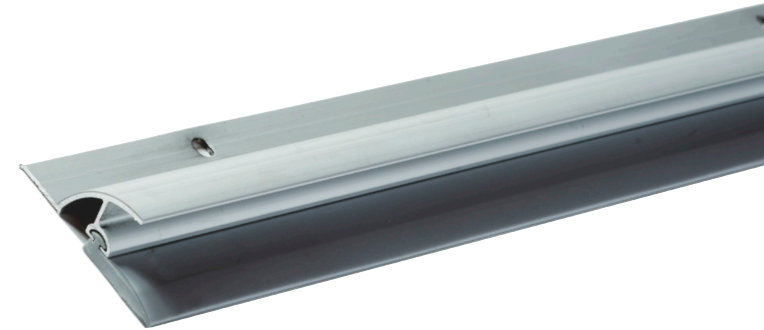
Material

Aluminum Alloy 6063, T5 Temper
Thermoplastic Polymer: Polyvinyl Chloride (PVC) Formulated
With an Environmentally Friendly Bio-based Plasticizer
Vinyl is Gray

- ▶ Economical
- ▶ Flame resistant
- ▶ Moisture Resistant
- ▶ Temperature Range 0°F to 140°F
- ▶ Oxidative Degradation from Age and Exposure to Cold, Heat and UV Causes Hardening, Loss of Memory and Resilience, Cracking, Crazeing and Discoloration
- ▶ #6 x 3/4" Stainless Steel SMS Furnished
- ▶ Screw Holes Slotted for Adjustment

Finishes

101V Mill Aluminum
101VA Anodized Aluminum
101VB Gold
101VDKB Dark Bronze



NGP-GKT-101V-PCS-0321-A