

# TEMPLATE HALF SURFACE CONTINUOUS GEARED ALUMINUM HINGE

HD4200-119"

HD5300-119"

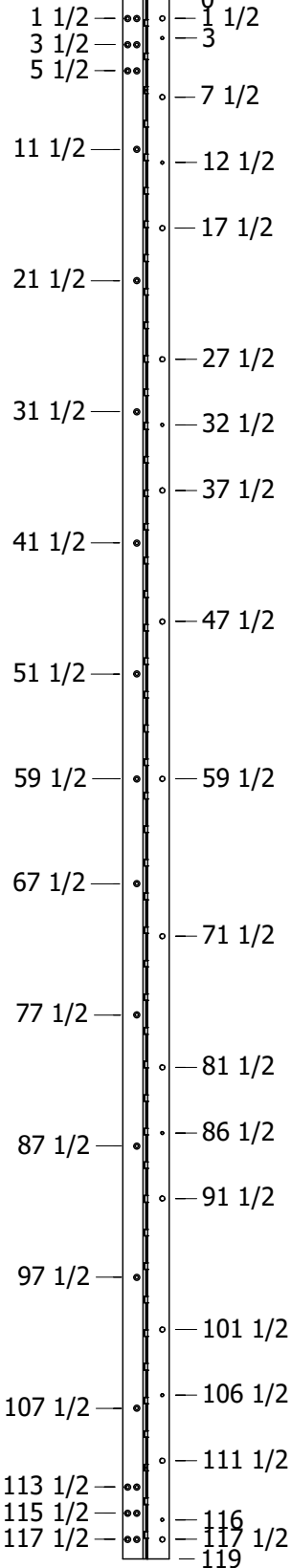
HD5400-119"

23 CS FASTENERS

6 PAN FASTENERS

13 THRU-BOLT FASTENERS

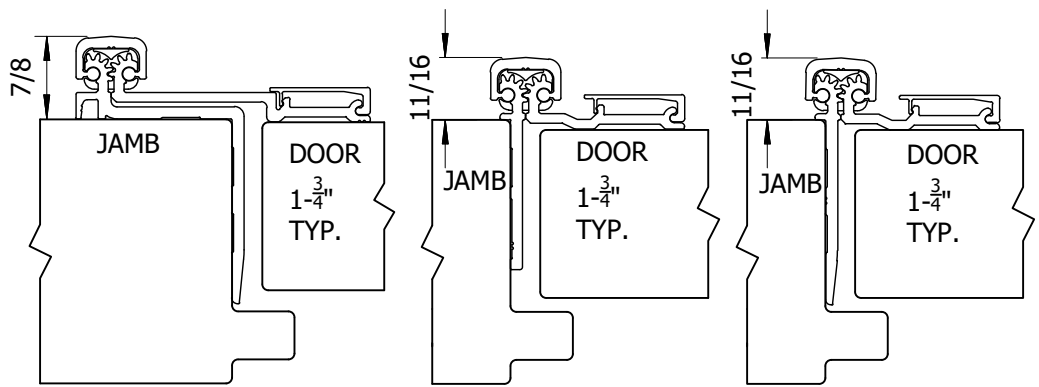
46 BEARINGS



HD4200

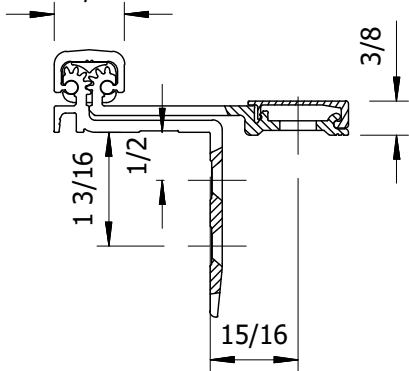
HD5300

HD5400



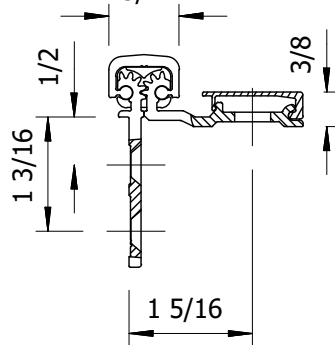
HD4200

3/4



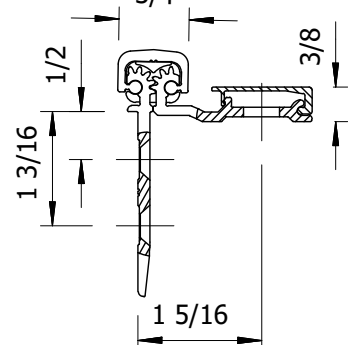
HD5300

3/4



HD5400


3/4



FASTENERS: #12-24 X <sup>11</sup>/<sub>16</sub> PH. CS. UNDERCUT TEK SCREW

#12-24 X <sup>11</sup>/<sub>16</sub> PH. PAN TEK SCREW

1/4-20 THRU-BOLT

REV	DESCRIPTION	DATE	APPR'D
A	ORIGINAL	6/29/2016	
REVISION HISTORY			
 <b>National Guard Products, Inc.</b>			
4985 E. Raines Rd. Memphis TN 38118		Phone: 1 (800) 647-7874 Fax: 1 (800) 255-7874	
TITLE: HD4200/5300/5400-119" TEMPLATE			
DRAWN BY: B.NORWOOD		SCALE: N/A	DATE: 6/29/2016
			TEMPLATE NO: 101667