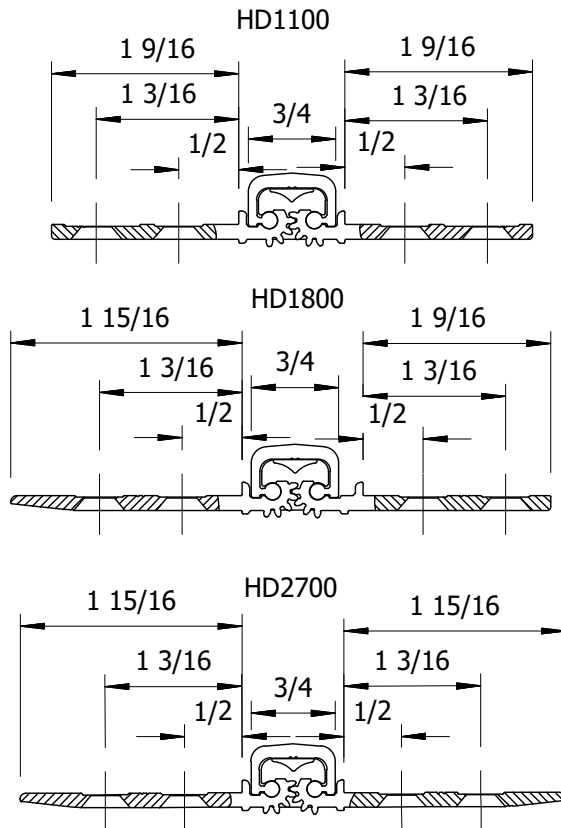
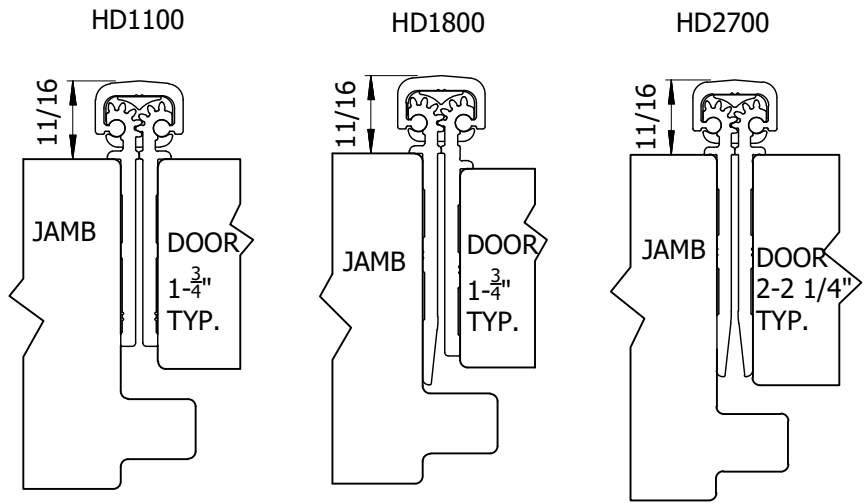
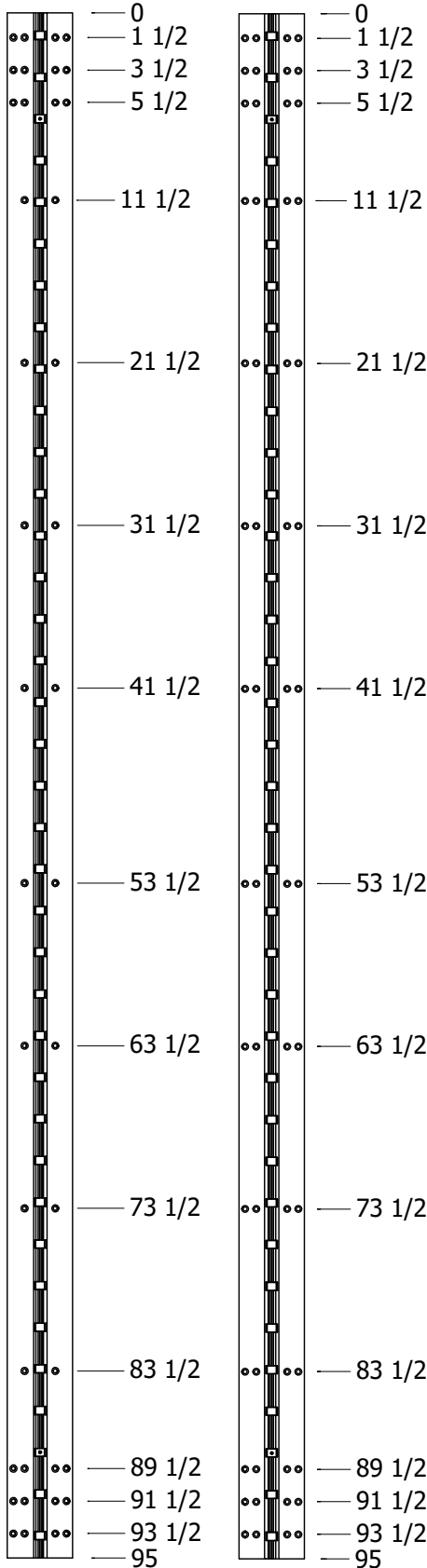


TEMPLATE CONCEALED CONTINUOUS GEARED ALUMINUM HINGE

HD1100-95"
 HD1800-95"
 HD2700-95"
 40 FASTENERS
 37 BEARINGS

HD1100-95"-LL
 HD1800-95"-LL
 HD2700-95"-LL
 56 FASTENERS
 37 BEARINGS



FASTENERS: #12-24 X $\frac{11}{16}$ PH. UNDERCUT TEK SCREW

A	ORIGINAL	5/23/2016	
REV	DESCRIPTION	DATE	APPR'D
REVISION HISTORY			
National Guard Products, Inc.			
4985 E. Raines Rd. Memphis TN 38118		Phone: 1 (800) 647-7874 Fax: 1 (800) 255-7874	
TITLE: HD1100/1800/2700-95" TEMPLATE			
DRAWN BY: B.NORWOOD		SCALE: N/A	DATE: 5/23/2016
			TEMPLATE NO: 101658