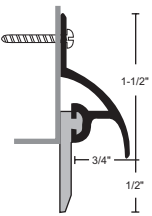


# NCP TGT

## Aluminum Door Sweep



See [ngp.com](http://ngp.com) for All Applicable Certifications for this Product.



POSITIVE PRESSURE TESTED GASKETING MATERIALS FOR FIRE DOORS FOR APPLICATION TO HOLLOW-METAL-TYPE FIRE DOORS RATED UP TO 3 HOURS AND WOOD-TYPE FIRE DOORS RATED UP TO 1½ HOURS. CATEGORY H

SMOKE AND DRAFT CONTROL GASKETING (CATEGORY H) TESTED TO UL 1784; MEETS REQUIREMENTS OF NFPA 105, IBC FOR USE ON "S" LABEL DOORS.

- Aluminum Alloy 6063, T5 Temper
- Flame/Moisture Resistant
- #6 x ¾" Stainless Steel Sheet Metal Screws Furnished

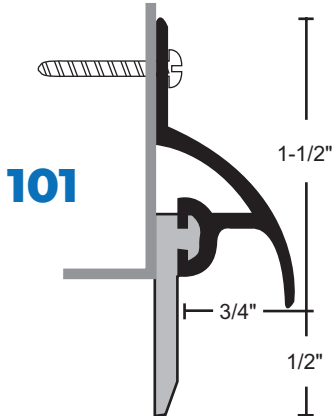
# SEAL

[ngp.com](http://ngp.com)  
1-800-NCP-RUSH

---

# INSTALLATION INSTRUCTIONS

---



1. Cut sweep to fit.
2. Close door. Hold sweep at bottom of door. Tap down until contact is made between the sweep and threshold.
3. Mark screw holes.
4. Drill pilot holes for screws using a  $\frac{7}{64}$ " drill bit.
5. Install with screws provided.
6. Adjust position so sweep does not impede proper closing and latching of door.



[ngp.com](http://ngp.com)

1-800-NGP-RUSH

FAX: (800) 255-7874

QUOTES: [quotes@ngp.com](mailto:quotes@ngp.com)

ORDERS: [orders@ngp.com](mailto:orders@ngp.com)

## MEMPHIS

4985 East Raines Road  
Memphis, TN 38118

## CARSON CITY

3689 Arrowhead Drive  
Carson City, NV 89706