



HEALTHCARE

SOLUTIONS





HEALTHCARE SOLUTIONS

SAFE AND SOUND

WHEN IT COMES TO YOUR ORGANIZATION,
PATIENT CARE IS NUMBER ONE.

Your choice of door hardware should compliment this mission and that is exactly what NGP's Healthcare Solutions are designed to do. From Continuous Stainless Steel Hinges, to Lite Kits and Louvers to Fire Door Accessories and Hermetically Sealed Mini Blinds, we've got a full portfolio of products that will enhance patient comfort, privacy and safety, while saving you and your staff valuable time and money.



**SOUND
CONTROL**

An abundance of options to keep the sound out and the patient room quiet.



**SAVES TIME
& MONEY**

Materials that are easy to clean, longer lasting with less maintenance.



**FIRE DOOR
COMPLIANCE**

A full line-up of Fire Door Accessories to get your doors compliant.



**FACILITY
SAFETY**

The right products to help create a safer facility.



**UL CERTIFIED
& MARKED**

A certified solution stamped to keep follow-up inspections streamlined.



**LEAD-LINED
CAPACITY**

Our door hardware is ready for whatever your specific applications require.



**PATIENT
PRIVACY**

Lite Kits, Louvers and Hermetically Sealed Mini Blinds create a more comfortable patient experience.

STAINLESS STEEL CONTINUOUS HINGES

Stainless Steel Continuous Hinges Offer You the Durability, Corrosion Resistance and Finished Look You Need for Healthcare Applications.

FEATURES

- ◆ UL Certified for use on Fire-Rated Doors
- ◆ ANSI/BHMA A156.26 Grade 1 Certified to 2,500,000 Cycles

SS300

Stainless Steel
Continuous Hinge
Concealed Mount



SS311

Stainless Steel
Continuous Hinge
Swing Clear Half Wrap
Edge Guard

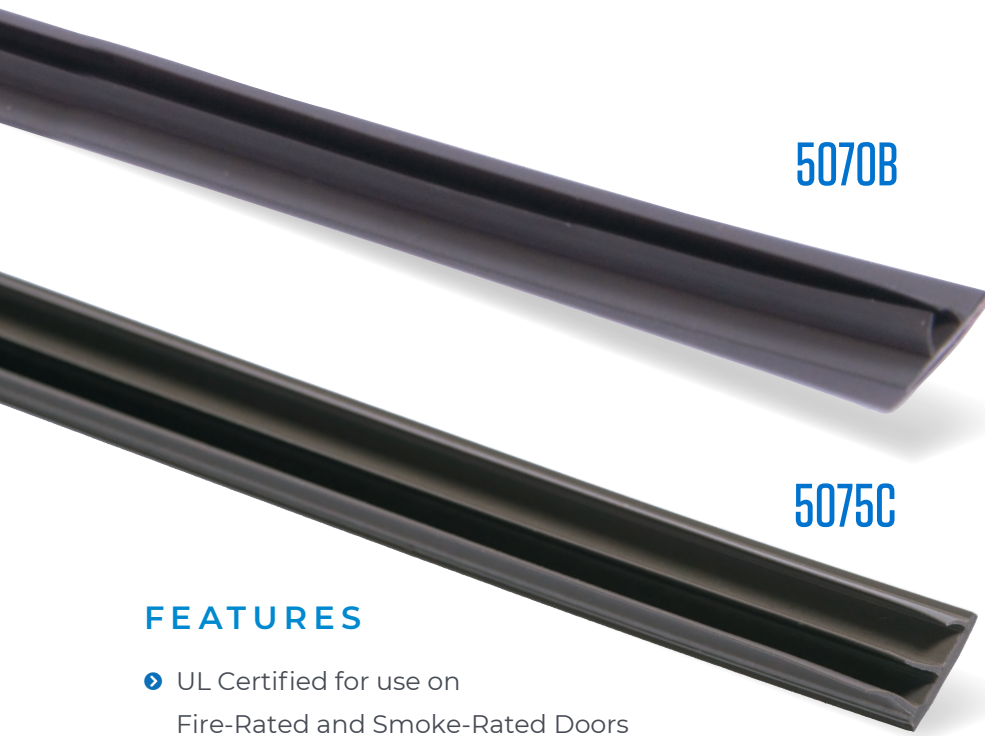


SS315

Stainless Steel
Continuous Hinge
Concealed Half Wrap
Edge Guard

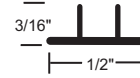


TPE SMOKE AND DRAFT CONTROL
SELF-ADHESIVE GASKETING



5070B

5075C



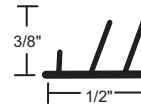
5070B BROWN

5070GL CLEAR

Smoke rated for perimeter and/or meeting edge astragal applications

FEATURES

- ▶ UL Certified for use on Fire-Rated and Smoke-Rated Doors
- ▶ Reduces Sound Penetration
- ▶ Blocks Out Light (Except Clear)



5075C CHARCOAL

5075GL CLEAR



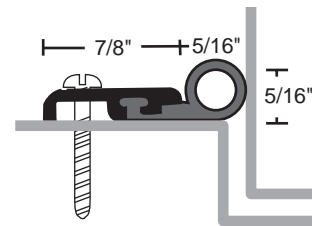
SILICONE PERIMETER SEALS



137SA

FEATURES

- ▶ UL Certified for use on Fire-Rated and Smoke-Rated Doors
- ▶ Anodized Aluminum
- ▶ Reduces Sound Penetration
- ▶ Blocks Out Light



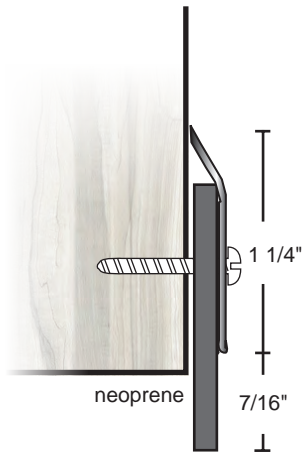
SMOKE AND DRAFT CONTROL DOOR BOTTOM SEALS

UL Certified for use on Fire-Rated and Smoke-Rated Doors.

PRODUCT#	SUFFIX	FINISH
	A	Anodized Aluminum
	DKB	Dark Bronze / Black Anodized
	SS	Stainless Steel

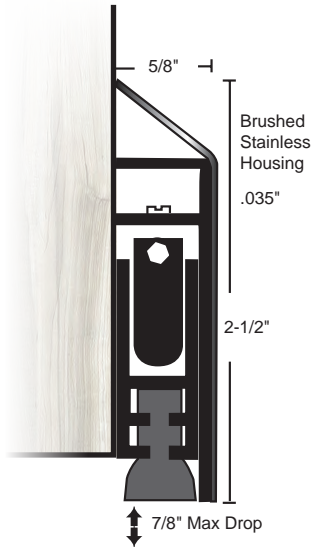
Neoprene and Silicone are Black

Stainless Steel Door Sweep



200NSS	NEOPRENE
200SSS	SILICONE

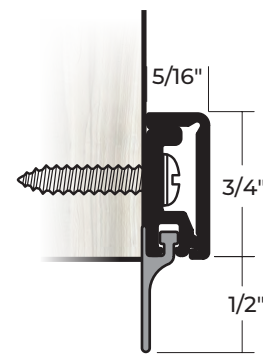
Stainless Steel Automatic Door Bottom



229NSS	NEOPRENE ¹
229SSS	SILICONE ¹
229WHSS	NYLON BRUSH

¹ Lead insert available for radiation shield - specify "lead-lined"

Neoprene Sweep



672NA	NEOPRENE
672NDKB	NEOPRENE

229SS





UL CERTIFIED FOR USE IN
THE US AND CANADA



GAP90

Fire Door Head/Jamb Gap Solution

- ▶ 1/8" - 3/8" Gaps on 60 & 90 Minute Doors
- ▶ 1/8" - 9/16" Gaps on 20 & 45 Minute Doors
- ▶ Non-Handed
- ▶ In-Field Modifiable
- ▶ Available in Dark Brown and Gray



GAP90N

Fire Door Head/Jamb Gap Solution for Narrow Stops

- ▶ 1/8" - 3/8" Gaps on 60 & 90 Minute Doors
- ▶ 1/8" - 9/16" Gaps on 20 & 45 Minute Doors
- ▶ For Use When the Soffit Depth is Between 1/2" and 1 3/8"
- ▶ Non-Handed
- ▶ In-Field Modifiable
- ▶ Available in Dark Brown and Gray



GAP90-ME

Fire Door Meeting Edge Gap Solution

- ▶ Meeting Edge Gaps (Pairs of Doors), up to 3/8"
- ▶ Non-Handed
- ▶ In-Field Modifiable
- ▶ Gray Finish



*See Installation Requirements.



9990

Fire Door Top Gap Solution

- ▶ Door Top Gaps, up to 1/2"
- ▶ Non-Handed
- ▶ In-Field Modifiable
- ▶ Recommended for Doors with Parallel Arm Closers
- ▶ Brushed Stainless Steel Finish

UL CERTIFIED FOR USE IN
THE US AND CANADA



9590

Fire Door Bottom
Gap Solution

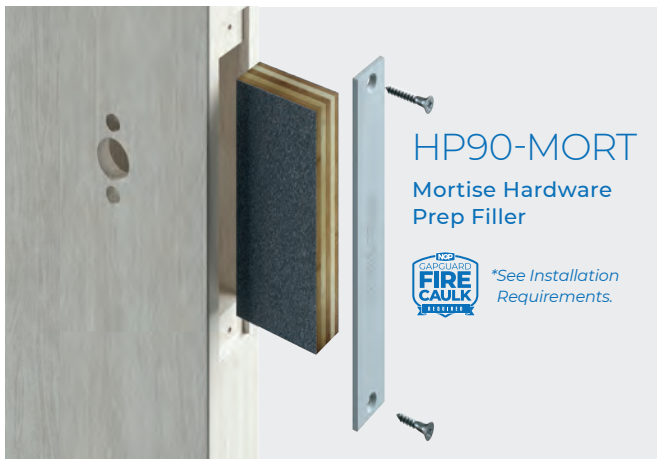
- ▶ Door Bottom Gaps, up to 1½"
- ▶ Non-Handed
- ▶ In-Field Modifiable
- ▶ Brushed Stainless Steel Finish



9595DKB

Floating Fire Door
Bottom Gap Solution

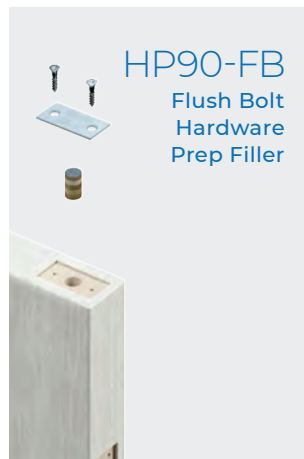
- ▶ Door Bottom Gaps, up to 1¾"
- ▶ Non-Handed
- ▶ Designed to Travel Over Uneven Floors,
With a Range of ¾"
- ▶ Optional L-Bracket Allows for Easy Installation
- ▶ Powder-Coated Matte-Black



HP90-MORT

Mortise Hardware
Prep Filler

*See Installation
Requirements.



HP90-FB

Flush Bolt
Hardware
Prep Filler

*See Installation
Requirements.



HP90-CYL

Cylindrical Hardware
Prep Filler

*See Installation
Requirements.

Includes Steel Filler
Plates for use on Hollow
Metal Doors



GAPGUARD FIRE CAULK

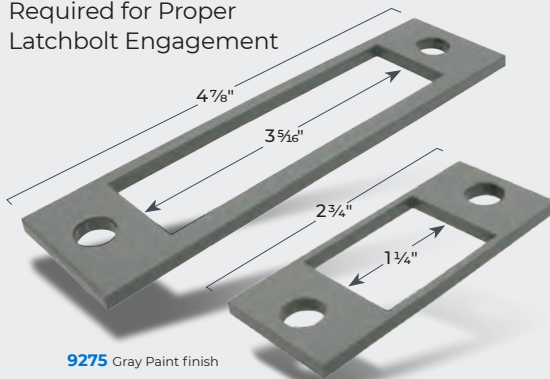
- ▶ Fill up to a ½" Diameter
Thru-Hole on 60 & 90
Minute Doors
- ▶ Fill up to a 1" Diameter
Thru-Hole on 20 & 45
Minute Doors
- ▶ Fully-Cured in
24 Hours
- ▶ Sandable/Paintable
- ▶ Color: Tan
- ▶ 10 Tubes
per Box

REQUIRED

*To retain UL Certification,
the products indicated
must be installed using
GapGuard Fire Caulk.

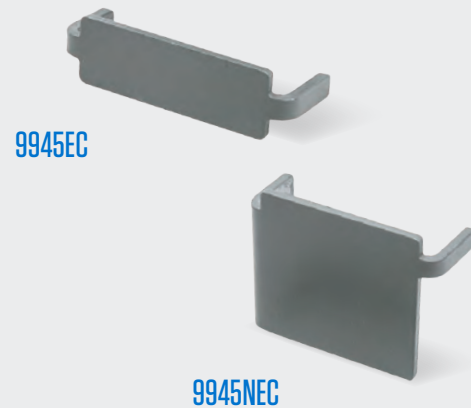
90-Minute Fire Door STRIKE SHIMS

- ▶ 60 and 90 Minute Fire Doors with Gaps Over $\frac{1}{8}$ ", up to $\frac{3}{8}$ "
- ▶ 20 and 45 Minute Fire Doors with Gaps Over $\frac{1}{8}$ ", up to $\frac{9}{16}$ "
- ▶ 9275 - Fits $4\frac{7}{8}$ " 'ASA' Strike Plate
- ▶ 9225 - Fits $2\frac{3}{4}$ " 'T' Strike Plate
- ▶ Required for Proper Latchbolt Engagement



GAP90/GAP90N END CAPS

- ▶ For Use on GAP90 and GAP90N Steel Stop Extender Components
- ▶ Sold in 10 packs



90-Minute Fire Door STEEL HINGE SHIMS

- ▶ Use to Shim Hinges to Achieve Required Clearances Between Door and Frame
- ▶ Use Full 42" Length for Continuous Hinges
- ▶ Break-Off $3\frac{1}{2}$ " Sections for Butt Hinges
- ▶ Pressure Sensitive Adhesive Pads Included for Holding in Place During Installation
- ▶ Available in Boxes of Ten



90-Minute Fire Door THRU-BOLTS

- ▶ Fits $1\frac{3}{4}$ " to 2" Thick Doors
- ▶ Zinc-Plated Steel Sleeve with Machine Screws
- ▶ Meets Requirements of NFPA 80 for Use on Fire Doors
- ▶ Use to Fill Holes in Wood or Steel Fire Doors to Protect Label Compliance
- ▶ Available in Boxes of Twenty

HEAVY-DUTY SLIDING DOOR HARDWARE

Stainless Steel BARN DOOR HARDWARE

- ▶ Brushed Stainless Steel 304
- ▶ Nylon Coated Stainless Steel Wheels for Smooth Operation
- ▶ Max Weight Load 220 lbs.
- ▶ ANSI/BHMA A156.14 Grade 1 Certified to 100,000 Cycles
- ▶ 5-Year Warranty
- ▶ Order Two Sets for Bi-parting Applications

SLSS1

Stainless Steel
Top Mount
Round Track
System



SLSS2

Stainless Steel
Side Mount
Round Track
System



Aluminum SIDE WALL MOUNT SLIDING DOOR HARDWARE

- ▶ Max Weight Load 250 lbs.
- ▶ ANSI/BHMA A156.14 Grade 1 Certified to 100,000 Cycles
- ▶ Optional Soft Close
- ▶ Optional Snap-On Fascias (SL-RD and SL-SQ18)
- ▶ 5-Year Warranty



SLAL-250-SW

Aluminum Side Wall
Mount Track System

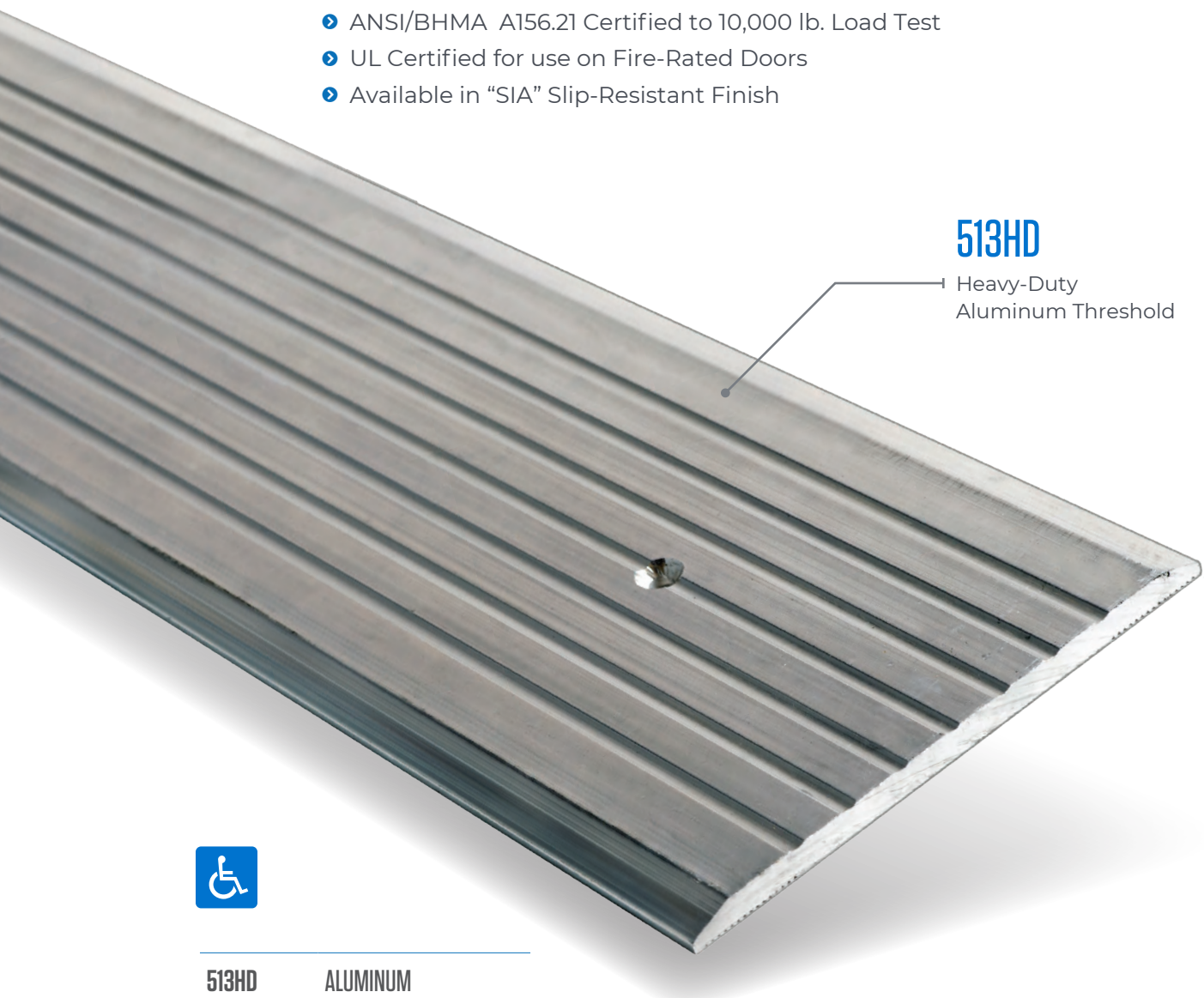


HEAVY-DUTY SADDLE THRESHOLDS

Heavy-Duty Thresholds Built For High-Traffic
Forklift And Vehicular Areas.

FEATURES

- ANSI/BHMA A156.21 Certified to 10,000 lb. Load Test
- UL Certified for use on Fire-Rated Doors
- Available in "SIA" Slip-Resistant Finish

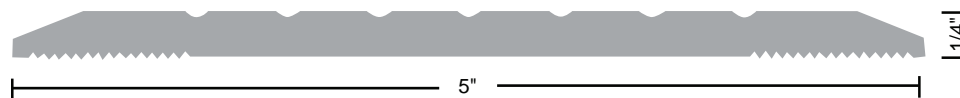


513HD

Heavy-Duty
Aluminum Threshold



513HD	ALUMINUM
513HDDKB	DARK BRONZE



STAINLESS STEEL COVER PLATES

818SS

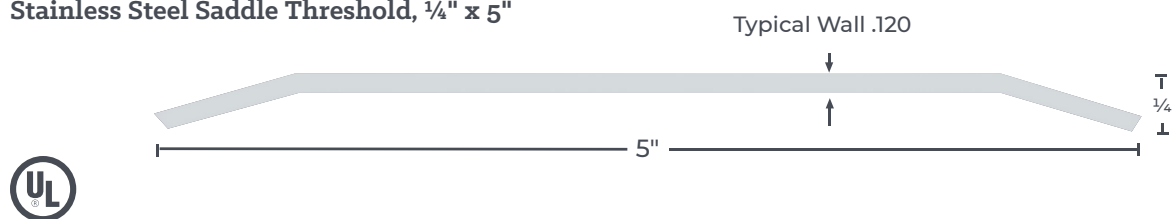
Stainless Steel Cover Plate, 1/8"



- ▶ UL Certified for use on Fire-Rated Doors
- ▶ Width: 3" (min.)–48" (max.). Maximum Length 144"
- ▶ Available with a Beveled Edge
- ▶ Optional Slip Resistant SIA Finish Suffix "SIA"

513SS

Stainless Steel Saddle Threshold, 1/4" x 5"

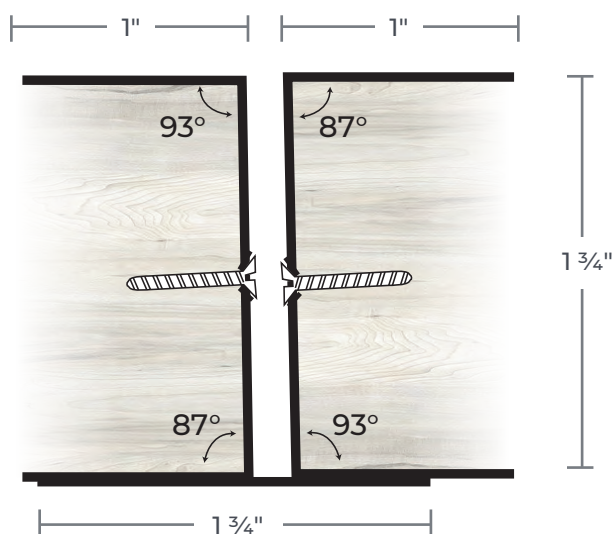


STAINLESS STEEL DOOR EDGES AND ASTRAGALS

555SS

Parallel Bevel Astragal for
Double Egress Doors

- ▶ UL Certified for use on
Fire-Rated Doors



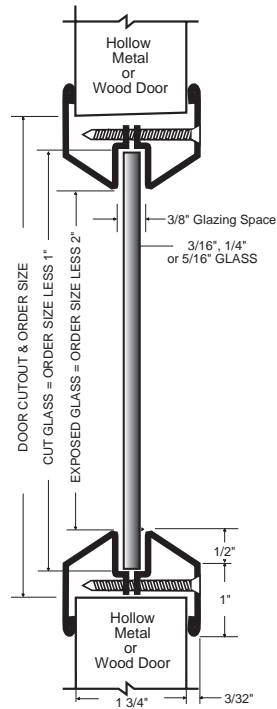
LITE KIT AND LOUVERS

LOW PROFILE LITE KIT

Designed for 1 $\frac{3}{4}$ " Thick Doors
And $\frac{3}{16}$ ", $\frac{1}{4}$ " or $\frac{5}{16}$ " Glass

L-FRA100

- ▶ 18-Gauge, Cold Rolled Steel
- ▶ UL Certified for use on Fire-Rated Doors
- ▶ Powder Coat Finishes:
 - Gray Primer (GPZ)
 - Dark Bronze (DKB)
 - Tan (T)



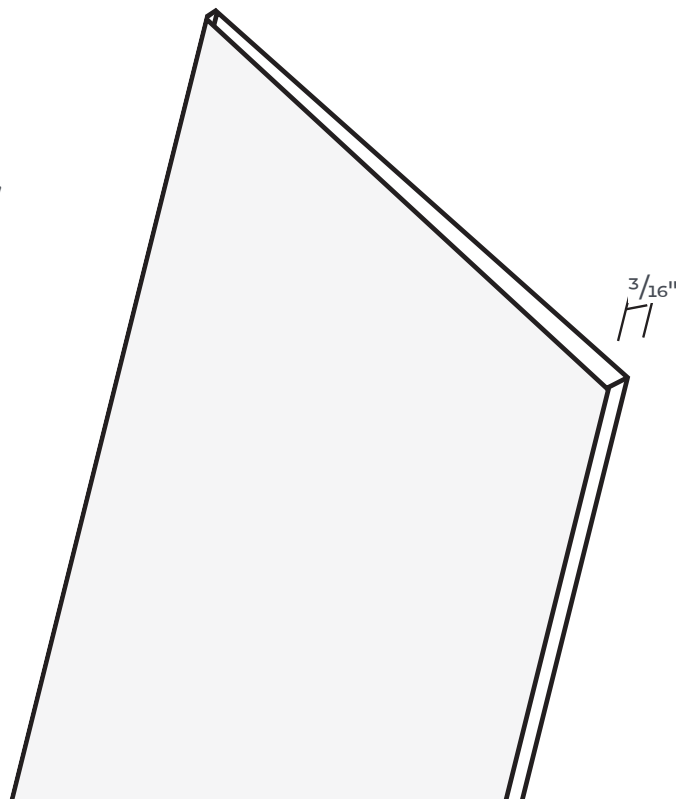
FIRE-PROTECTIVE SAFETY GLASS CERAMIC

PYRAN[®] PLATINUM F

Fire-Rated $\frac{3}{16}$ " Glass

FEATURES

- ▶ UL Certified to ANSI/UL9, ANSI/UL10B, ANSI/UL10C, CAN/ULC-S104, ULC CAN4-S106



LITE KIT AND LOUVERS

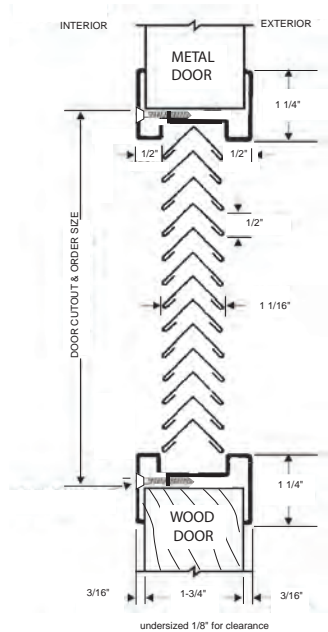
NO VISION DOOR LOUVER

Designed for 1 3/4" Thick Doors

L-700-RX

FEATURES

- 18-Gauge, Cold Rolled Steel
- Mitered and Welded Corners
- Powder Coat Finishes:
 - Gray Primer (GPZ)
 - Dark Bronze (DKB)
 - Tan (T)



LITE KIT AND LOUVERS

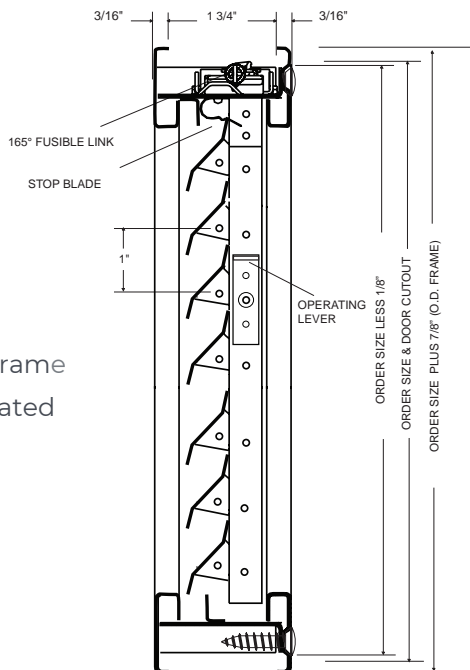
FIRE-RATED FUSIBLE LINK LOUVER

Designed for 1 3/4" Thick Doors

L-1900

FEATURES

- Blades Close when Activated by Fire/Heat
- 18-Gauge, Cold Rolled Steel Frame
- UL Certified for use on Fire-Rated Doors up to 90 Minutes
- Minimum Size: 10" X 6"
- Maximum Size: 24" X 30"



GLASS WITH INTEGRATED MINI BLINDS



L-MINI BLINDS 1" IGU

Mini Blind Insulated Glass Units are for Lite Kit and Borrowed Lite Applications.

FEATURES

- Commercial Grade Hermetically Sealed Venetian Blind System Inside Insulating Glass Unit – 1" Thick
- Interior or Exterior Applications
- Clear Tempered Safety Glass Both Sides
- Magnetic Slider, Placed on the Right or Left-Hand Side of the Glass for Tilting, Lowering and Raising Functions
- Minimum Width 8 5/8", Maximum Width 35 3/4"
- Minimum Height 14", Maximum Height 80"
- Fits Low Profile L-FRA100-SP Lite Kit
- Standard Blind Color is White
- Orders for this Product are Non-Changeable and Non-Cancellable

Special features and glass types available to meet specification requirements.

GLASS

X-RAY SAFETY LEAD GLASS

FEATURES

- Thickness = 5/16" to 5/8"
- Lead Equivalency = 1/16" to 3/16"

5/16" – 5/8"



HEALTHCARE SOLUTIONS

FOR MORE INFORMATION,
CALL US OR VISIT:

ngp.com
1-800-NGP-RUSH



ngp.com
1-800-NGP-RUSH

FAX: (800) 255-7874
QUOTES: quotes@ngp.com

NGP MEMPHIS
4985 East Raines Road
Memphis, TN 38118
orders@ngp.com

NGP VEGAS
4584 Calimesa Street
Las Vegas, NV 89115
vegasorders@ngp.com