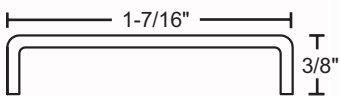




NATIONAL GUARD
PRODUCTS

Requires installation of ALL components below

Steel Stop Extender



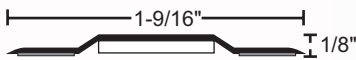
9945

16 Gauge, Gray Primer Finish

Furnished with #10 X 1" TEK SMS
Available in 36", 48", 84", 96" lengths

Patent No.: US9,273,510B2

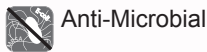
NGP-Edge® Intumescent Seal with PVC cover



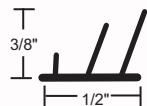
9400 Gray
9400DKB Brown

Available in 36", 48", 84" and 96" lengths

Self-Adhesive



Self-Adhesive TPE Seal



5075B Brown
5075C Charcoal
5075CL Clear



*Anti-Microbial not available in clear

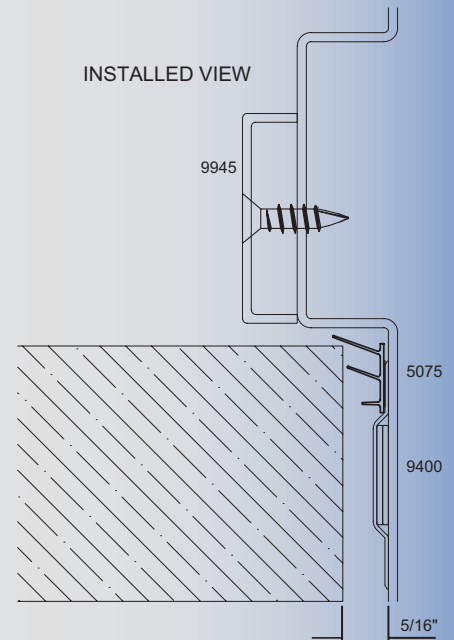
Available in 36", 48", 72", 84", 96" and 108" lengths

Gap Solution for Excessive Fire Door and Frame Clearance—45 Minute

UL Certified Solution for Fire doors with Excessive clearance between door and frame over 1/8", up to 5/16"

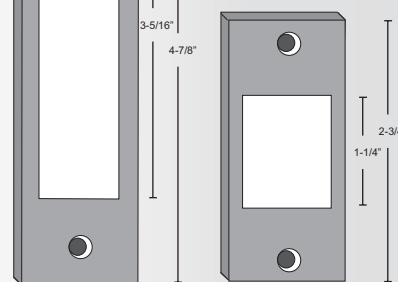
45 minute rated UL Certified Miscellaneous Fire Door Accessory UL10B and UL10C wood or hollow metal fire doors

An NGP strike shim 9275 or 9225 is also required for proper latchbolt engagement

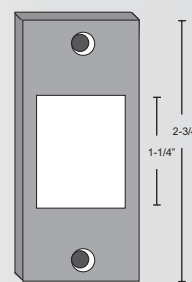


Strike Shims — 45 Minute

9275 - Fits 4-7/8" 'ASA' Strike Plate
9225 - Fits 2-3/4" 'T' Strike Plate



9275
Gray Paint finish



9225
Gray Paint finish

UL Certified Miscellaneous Fire Door Accessory for excessive door and frame clearances, measuring up to 5/16"

45 minute rated UL10B and UL10C wood or hollow metal fire doors





Gap Solution for Excessive Fire Door Bottom Undercut/Clearance — 45 Minute

UL Certified Solutions for Fire doors with Excessive Door Bottom Clearance up to 1-1/2"

NGP-Edge® Intumescent Door Shoes

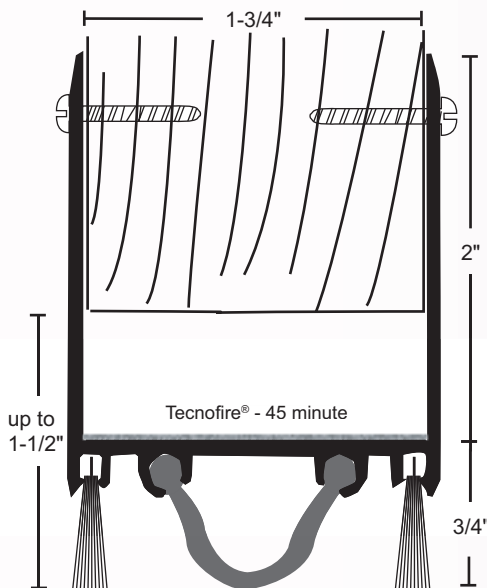
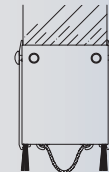
9245 Series

UL Certified Miscellaneous Fire Door Accessory for excessive door bottom undercut/clearance, measuring up to 1-1/2"

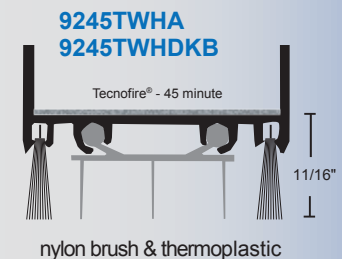
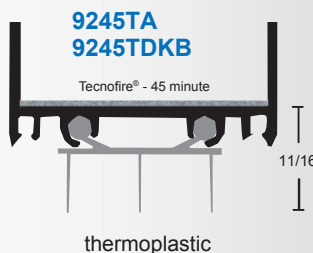
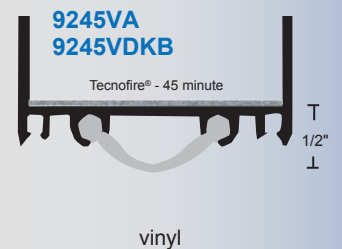
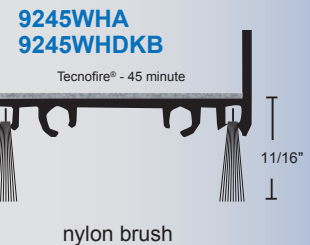
45 minute rated UL10B and UL10C wood or hollow metal fire doors

Restricts the passage of smoke

End caps available - sold separately



Gasketing options:



9245NWA neoprene & nylon brush
9245NWDKB neoprene & nylon brush

#6 x 3/4" Stainless Steel SMS furnished.

A- anodized aluminum
DKB - dark bronze

vinyl is gray
neoprene is black
thermoplastic is dark brown
nylon brush is gray with anodized aluminum; black with DKB metal

