

# NATIONAL GUARD PRODUCTS, INC.

PHONE: 800-647-7874 | www.ngp.com  
 FAX: 800-255-7874

## ORDER FORM FOR SSD OVER LITE KIT

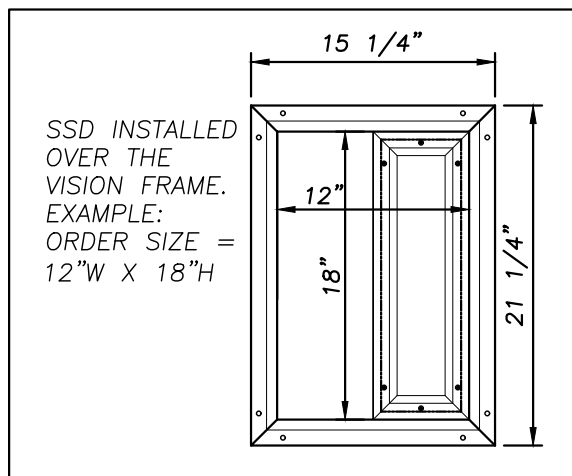
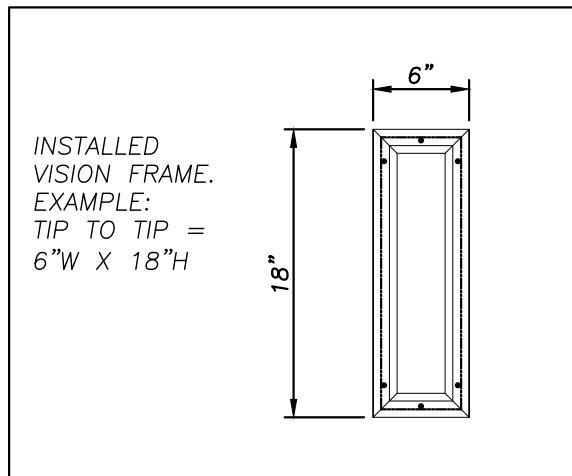
NOTE: VISION FRAME CAN BE NO MORE THAN 1/8" OFF DOOR

### SSD OVER LITE KIT

STEP 1:  
 OUTSIDE WIDTH DIMENSION OF VISION FRAME X 2  
 EXAMPLE = 6" X 2 = 12"

STEP 2:  
 OUTSIDE HEIGHT DIMENSION OF VISION FRAME.  
 EXAMPLE = 18"

FRAME O.D. = ORDER SIZE PLUS 3-1/4"



COMPANY:	
PO#:	DATE:
JOB NAME:	
MODEL #:	FINISH:
SIGNATURE:	

SSD ORDER SIZE:

\_\_\_\_\_ "W X \_\_\_\_\_ "H

ORDER WORK SHEET

\_\_\_\_\_ "WIDTH X 2 = \_\_\_\_\_ "  
 \_\_\_\_\_ "HEIGHT = \_\_\_\_\_ "