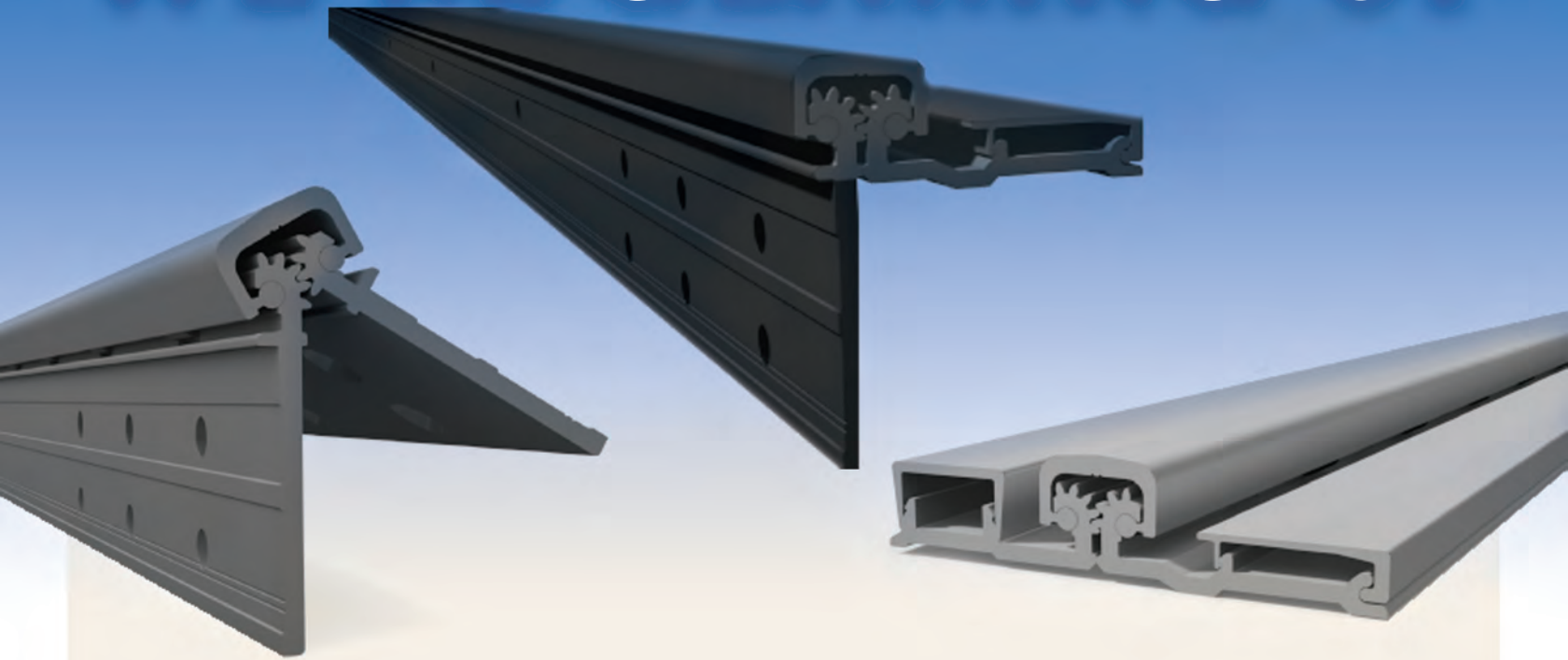


# WE'RE GEARING UP



ANNOUNCING THE NEXT GENERATION

## CONTINUOUS HINGE

NGP's New Line of Aluminum Continuous Hinges  
Feature State-of-the-Art:

**Load Bearing Design**

**Proprietary Teflon Infused Bearings**

**Customized Lifetime Lubrication Process**

**Lifetime of the Opening Warranty**

All adding up to a product that cycles with:  
Quiet Operation • ANSI Grade 1 Performance

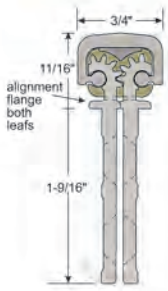


NATIONAL GUARD  
PRODUCTS

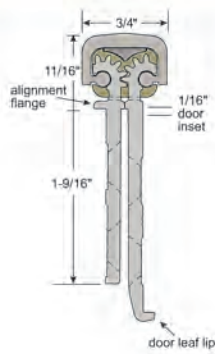
4985 East Raines Road • Memphis, TN 38118 • Phone: (800) 647-7874 • Fax: (800) 255-7874 • [www.ngp.com](http://www.ngp.com)



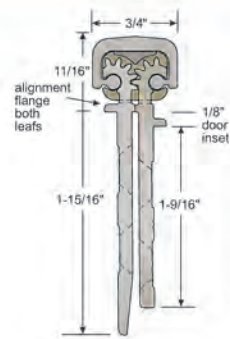
## CONCEALED



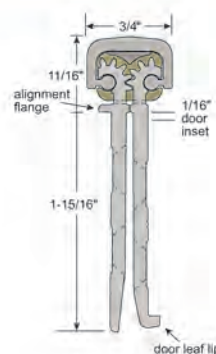
**HD1100**  
**HD1100LL**



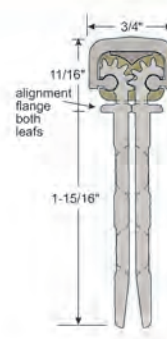
**HD1400**  
**HD1400LL**



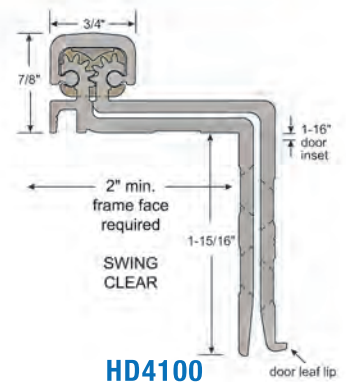
**HD1800**  
**HD1800LL**



**HD2400**  
**HD2400LL**

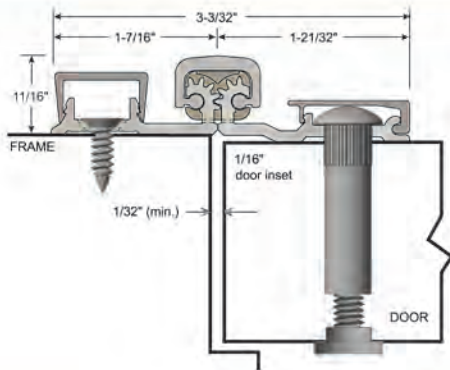


**HD2700**  
**HD2700LL**

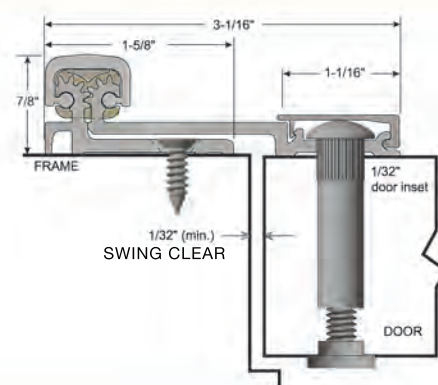


**HD4100**  
**HD4100LL**

## FULL SURFACE

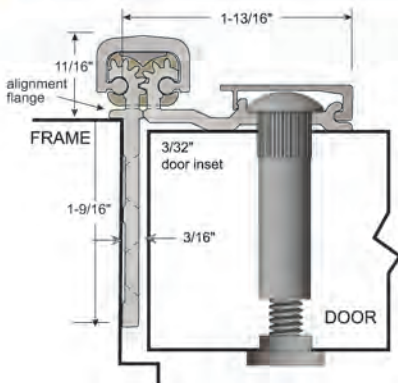


**HD5700**

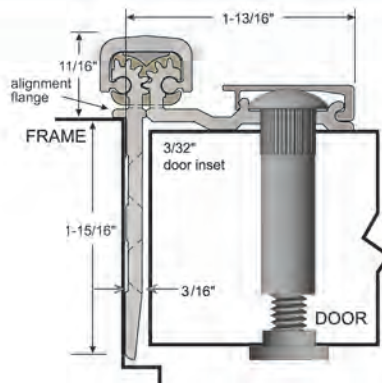


**HD2100**

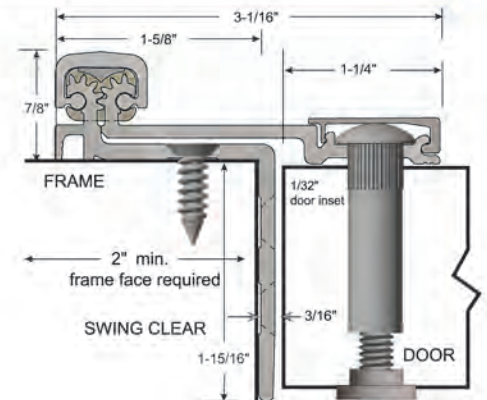
## HALF SURFACE



**HD5300**



**HD5400**



**HD4200**

### FINISHES

A-anodized aluminum  
DKB - dark bronze anodized

Furnished with TEK M.S.  
Std. Lengths 83, 85, 95, 119



### AVAILABLE OPTIONS

1/2" Wood Screws  
Torx Screws  
Cut to Net Length

Anti-Ligature Hospital Tip  
Dutch Door Prep

